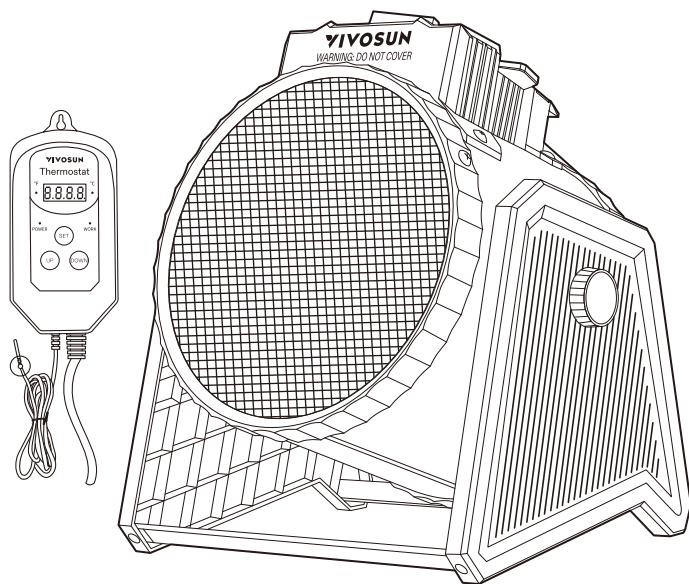


# VIVOSUN



## Electric Heater with Digital Thermostat

USER MANUAL

# Love what you grow™

Welcome to **VIVOSUN**

Thank you for choosing VIVOSUN. We are committed to product quality and friendly customer service. If you have any questions or suggestions, please don't hesitate to contact us.

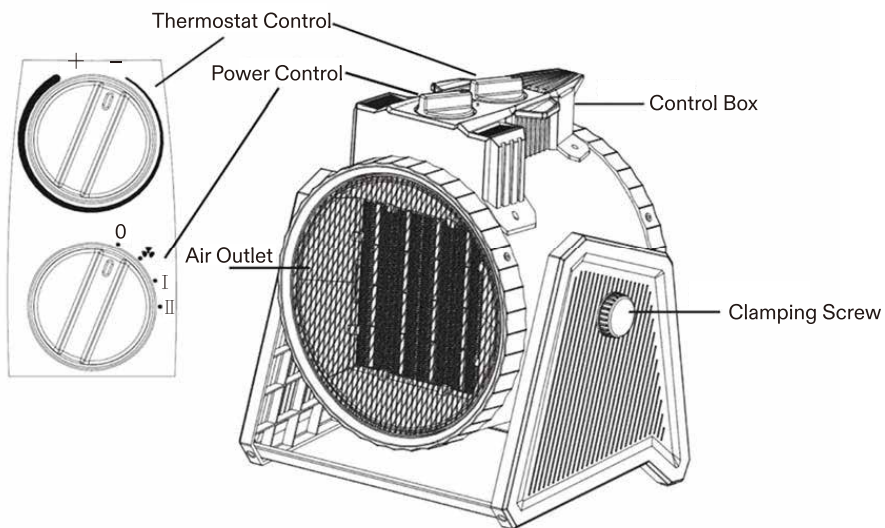
# CONTENTS

Specifications .....	1
Product Structure Diagram .....	1
Electrical Schematic Diagram .....	2
Instructions .....	2
Cautions .....	3
Maintenance and Storage .....	5
Troubleshooting .....	5
Components Included .....	6
Electric Heater Warranty .....	6
Optimum Temperature Chart .....	7
Setting Up the Thermostat .....	8
Using the Controller .....	8
A Few Tips .....	9
Controller Warranty .....	9

# SPECIFICATIONS

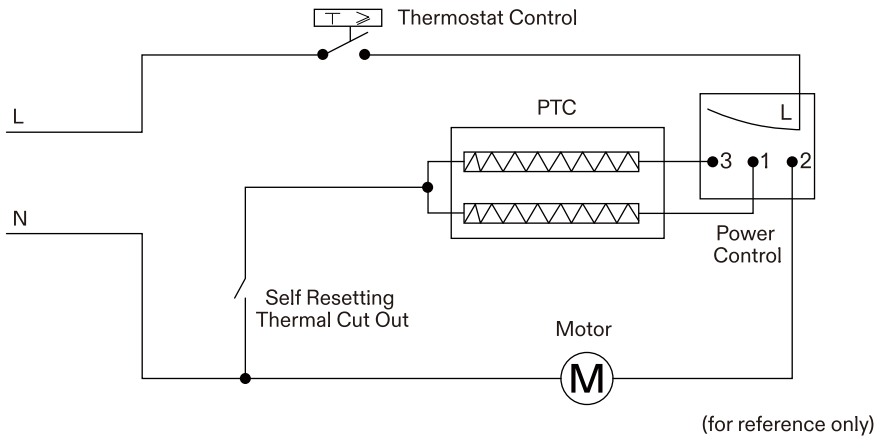
Item No.	Rated Voltage	Rated Frequency	Rated Power
SFP1.5-21A	120V	60Hz	1500W
Anti-electric Shock Rate	Class II	Waterproof Rate	IP20

# PRODUCT STRUCTURE DIAGRAM




(for reference)

# ELECTRICAL SCHEMATIC DIAGRAM



## INSTRUCTIONS

Before use, check whether all parts are complete and in good condition.

1. Remove the product from the carton and bag, making sure the unit is in the OFF position before plugging it into an electrical outlet.
2. Before using the heater, make sure it is placed on a flat and stable surface.
3. Plug the heater power cord directly into a standard AC power outlet. If the plug does not fit firmly into the outlet, the outlet may need to be replaced.
4. First, adjust the thermostat control knob clockwise to maximum. Next, turn the power control knob clockwise to , the "cold air" position. In this position, cold air will be put out.
5. Once you see that cold air is being blown out as expected, turn the power control knob clockwise to the position you need. When you turn it to "I", the machine will heat with low-grade power; when you turn it to "II", the machine will heat with high-grade power. At this time, you will see that the air is blown out at a higher pressure while the heater operates to circulate heat through the airflow.

# INSTRUCTIONS

6. If you want to maintain the current indoor temperature, you can slowly rotate the thermostat control knob counterclockwise. When you hear a "click" sound, the heater stops working, and the temperature control setting is completed. When the heater detects that the temperature is lower than the set temperature, the heater will start working automatically.
7. Please always turn off the power supply and unplug the device when not in use or if no one is near the device or is in the home.

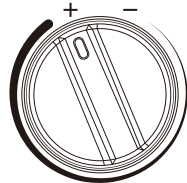
Tip 1: After you have finished using the heater and you are ready to turn off the device, please turn the device to emit cold air for 20-30 seconds. This will effectively improve the service life of the heating element.

Tip 2: When using the heater, it must be placed on a flat surface.

Tip 3: There will be a slight amount of smoke that will emit when heating the device for the first time—this is normal and there is no need to worry.

Tip 4: When the product cannot be positioned in the pitch, please tighten the clamping screw by hand.

Keep the thermostat control knob in the maximum position at all times during use.



# CAUTIONS

Before using the heater for the first time, please check that the voltage and current you are using are in accordance with the requirements indicated on the product label.

1. If the mains cord is damaged, it must be replaced by a professional designated by the manufacturer, maintenance department, or a similar department in order to avoid any hazard that may arise by an improper electrical connection.

# CAUTIONS

2. Do not use the device in places where objects may be sucked into the fan, such as curtains. Avoid surrounding obstacles and unstable surfaces.
3. It is strictly forbidden to use this product in an environment with flammable and explosive materials, and the temperature of the use environment should not exceed 30°C, and the distance from combustible materials should be at least 50cm to prevent fires from occurring.
4. If you do not plan to use the device for a long time, please be sure to turn off the power supply and unplug the device.
5. Make sure that the appliance is disconnected from the mains during a power outage or power surge. The fire protection cover of this heater is used to prevent direct contact with the heating element. When the heater is in use, the fire protection cover must be in place – fire protection covers do not provide comprehensive protection for children and disabled persons, so please be careful around the device.
6. Do not use this heater around bathtubs, water jets, or swimming pools.
7. Please check the power cord and plug for damage before use. Do not crease, bend, or pull the power cord.
8. Do not pull on the power plug with wet hands – there is a danger of electric shock.
9. Do not place the heater directly beneath an electrical outlet.
10. When working, it is absolutely forbidden to insert hands or foreign objects into the machine. This may cause injury to you or damage to the machine. Pay special attention to children who are near the device.
11. Children should be supervised to ensure they do not play with the device.
12. This appliance is not intended to be used by persons with reduced physical, sensory or intellectual abilities, or persons (including children) lacking experience and common sense, unless they have been given adequate care and instruction in the use of this appliance by those who are responsible for their safety.
13. When there are stains on the surface of the heater, wipe it off with a soft cloth dampened with soap. Do not use organic solvents such as gasoline or alcohol.
14. Do not use in high temperature, high humidity, dusty, or volatile environments – avoid acid-based oils.

# MAINTENANCE AND STORAGE

Turn off the power before maintenance.

1. When there is oil on the device, clean it to avoid discoloration and damage.
2. After cleaning and maintenance, please return the parts to the original box with the original packaging in the order in which the unit came in, and store the device in a cool, dry place for safekeeping.
3. This machine only needs general external cleaning and maintenance. Do not open the device.
4. Wipe with a neutral detergent, then wipe with a clean, soft cloth.
5. Do not rinse directly with water.
6. Do not wipe with thinner, toluene, acid lotion, oil, etc., to avoid discoloration or deterioration.

# TROUBLESHOOTING

If your heater fails to operate:

1. Check to see if the power cord is plugged into the electrical outlet. If not, plug it in.
2. Check if electricity to the main fuse is working.
3. The thermostat may be set too low. Turn the Thermostat Control clockwise until the heater begins operating.
4. Make sure the electrical outlet or circuit breaker is working properly.
5. Check for obstructions. If you find an obstruction turn the heater OFF and unplug the unit. Carefully remove the obstruction and follow the reset instructions.



# COMPONENTS INCLUDED

- 1 x Instruction manual
- 1 x Greenhouse Heater

# WARRANTY

This product is warranted for one year from the date of sale (subject to the invoice or proof of purchase), if it falls under one of the following circumstances, three warranties are not implemented, and fee-based maintenance is implemented:

1. Damage caused by the consumer due to improper use, maintenance, and storage.
2. Damage caused by disassembly not performed by the company's designated department.
3. Damage caused by force majeure.

# OPTIMUM TEMPERATURE CHART

The ideal temperature is critical to growing strong, healthy plants. Excessive heat or cold will result in poor quality growth and smaller harvests.

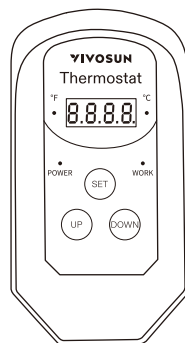
Optimum temperature	Temperature required for seed germination		Temperature for transplanted plants			
			Day		Night	
Plant type	°C	°F	°C	°F	°C	°F
The Verbena family, herbs, shrubs, and trees	18	65	24	75	18	65
Flowering Plants						
Alyssum	21	65	16	60	10	50
Aster	21	70	24	75	18	65
Calendula	21	70	16	60	10	50
Dahlia	21	70	24	75	18	65
Dianthus	21	70	16	60	10	50
Petunia	21-27	70-80	16	60	10	50
Marigold	21-27	70-75	24	75	18	65

## Product Summary:

A digital temperature controller that allows growers and gardeners to select and maintain optimal rooting temperatures for faster seedling or cutting growth. This device is compatible with many other heat mat brands.

# SETTING UP THE THERMOSTAT

1. Insert the probe approximately 1 - 1/2 inch into the rooting area.
2. Position the thermostat up and away from seedling trays and splashing water. **DO NOT SUBMERGE THE THERMOSTAT.**
3. Plug the heat mat into the thermostat.
4. Plug the thermostat power cord into the power source/ electrical outlet.
5. Set the desired maximum temperature for the heating mat.



# USING THE CONTROLLER

1. Press the SET button to display the current preset temperature. The thermostat's LED screen will show the current temperature whenever the SET button is not activated.
2. Press and hold the SET button for three seconds to enter the temperature selection mode. Press the (UP) or (DOWN) button to adjust the temperature. The thermostat's LED screen will show the numbers as you cycle through them. Press the SET button again to set the selected temperature. The HEATING light cycles on when the mat is in the process of heating. When the LED is not off, the mat is not providing heat. The light will turn off automatically when the mat reaches the preset temperature.
3. Press the (DOWN) button to display the temperature in Celsius. Press the (UP) button to display the temperature in Fahrenheit.

## A FEW TIPS

The Digital Heating Mat is designed to achieve the desired heating temperature within 5 hours. If it takes longer than 5 hours or if the mat runs for longer than 5 hours the desired temperatures are not being reached by the heat mat. To conserve power and increase the mat's effectiveness, move the mat to a more insulated surface. You can also add a humidity dome to cover the seedling tray, which aids heat retention.

In the event that you would like to use your thermostat to control air temperature, we've included a suction cup so that the probe can be mounted outside the rooting area. Simply clip the suction cup over the probe and apply them to the desired area. If you're having trouble with the suction cups, try getting them slightly wet before applying.

## WARNING

Do not immerse the controller in water.

If the probe temperature reaches 108°F, the automatic safety shut-off will activate.

Designed by **VIVOSUN** in California.

Made in China