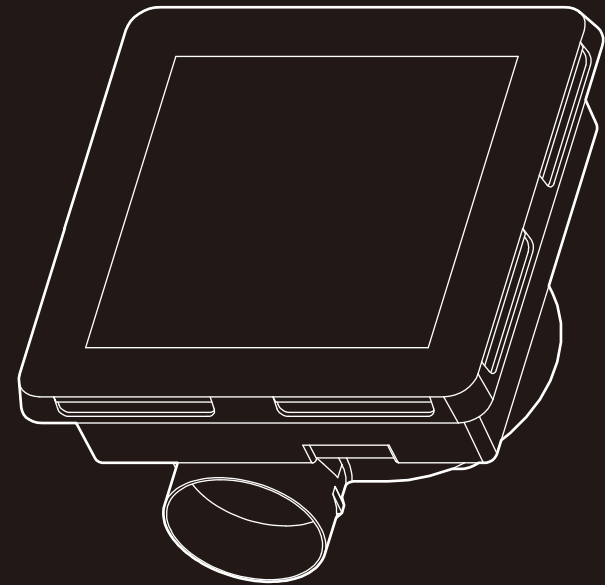


VIVOSUN

Designed by **VIVOSUN** in California.
Made in China



Exhaust Fan with LED Light
USER MANUAL

Love what you grow™

Welcome to **VIVOSUN**

Thank you for choosing VIVOSUN. We are committed to product quality and friendly customer service. If you have any questions or suggestions, please don't hesitate to contact us.

CONTENTS

Warning	1
Safety Information	1
Package Contents	2
Specifications	3
Technique Parameter	4
Wire Connection	5
Two Kinds of Wiring	6
Installation	8
Warranty	12

WARNING

1. Do not allow children to play with the appliance. Cleaning and user maintenance shall not be made by children without supervision. Unplug the appliance during filling and cleaning.
2. This product is designed for ceiling installation only. The fixing means for attachment to the ceiling such as hooks or other devices shall be fixed with sufficient strength to support 4 times the weight of the ceiling fan.
3. For general ventilation use only. Do not use to exhaust hazardous or explosive materials and vapors.
4. The distance between the fan and the building floor need to be more than 2.3m.
5. To prevent damage to motor bearings and noisy and/or unbalanced impellers, keep drywall spray, construction dust, etc. away from the unit.
6. To avoid motor bearing damage and noisy and/or unbalanced impellers, keep drywall spray, construction dust, etc. away from the unit.

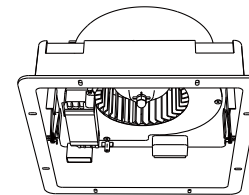
SAFETY INFORMATION

1. Use this unit only in the manner intended by the manufacturer. If you have questions, please contact us.
2. Before servicing or cleaning the unit, turn off the power at the service panel and lock the service disconnect to prevent power from being switched on accidentally. If the service disconnect cannot be secured, securely fasten a prominent warning device, such as a tag, to the service panel.
3. Installation work and electrical wiring must be done by a qualified person(s) in accordance with all applicable codes and standards, including fire-rated construction codes and standards.

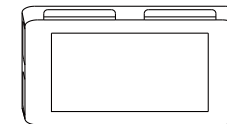
SAFETY INFORMATION

4. When cutting or drilling into the wall or ceiling, be careful not to damage electrical wiring or other hidden utilities.
5. Duct fans must always be vented to the outdoors. For general ventilation use only. Do not exhaust hazardous or explosive materials and vapors.
6. If this unit is to be installed over a bathtub or shower, it must be marked as appropriate for the application and be connected to a GFCI (Ground Fault Circuit Interrupter)-protected branch circuit.
7. Sufficient air is needed for proper combustion and exhausting of gases through the flue (chimney) of fuel-burning equipment to prevent back drafting. Follow the heating equipment manufacturer's guidelines and safety standards, such as those published by the National Fire Protection Association (NFPA), and the American Society for Heating, Refrigeration and Air Conditioning Engineers (ASHRAE) and local code authorities.

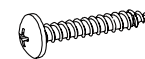
PACKAGE CONTENTS



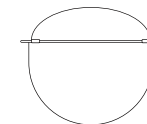
A
Fan housing
1pc



B
Grille and light
1pc

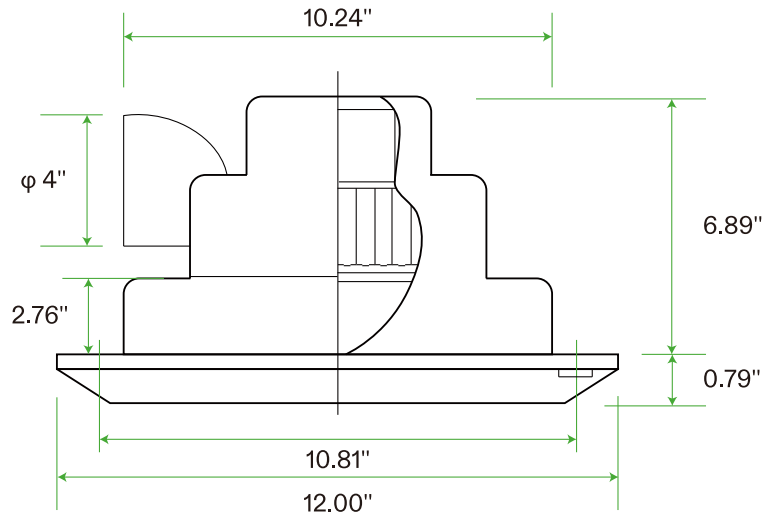


C
Screw x 8&4
of spares
12pcs



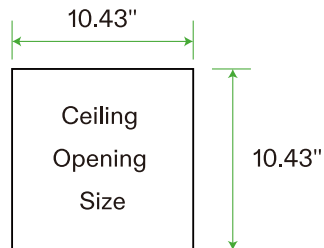
D
Check valve
1pc

SPECIFICATIONS



Ceiling Opening Size is

10.43x10.43inches/ 26.5x26.5cm (LxW)



TECHNIQUE PARAMETER

Total Power Power: 45W

Motor Power Consumption: 30 Watts

LED Power Consumption: 15 Watts

LED Light Color(CCT): 3000K, 4000K, 6000K

LED Light Brightness: 1500 Lumens Dimmable

Rating Voltage: 120V

Rating Frequency: 60HZ

Duct Diameter: 4 inches

Noise: 1 Sones

Airflow: 110 CFM

Selectable CCT (correlated color temperature) Fan offers 3 of the most common light temperatures to blend in the environment.

3000K: Warm White

4000K: Cool White

6000K: Daylight

Color Temperature Adjustment

This product has 3 different color temperatures to choose from, warm light color temperature 3000K, neutral light color temperature 4000K, cool white light color temperature 6000K.

The color temperature can be adjusted by quickly opening and closing the switch, the operation is as follows.

1. After turning on the light, press the power switch continuously, continuous key interval of 5 seconds or less, each time the light is turned off and on again, the color temperature will change once.
2. Selected to use the color temperature, turn off the light. Wait 10 seconds, the color temperature will be automatically remembered, the next time you turn on the light, the color temperature of the last time you turned off the light.

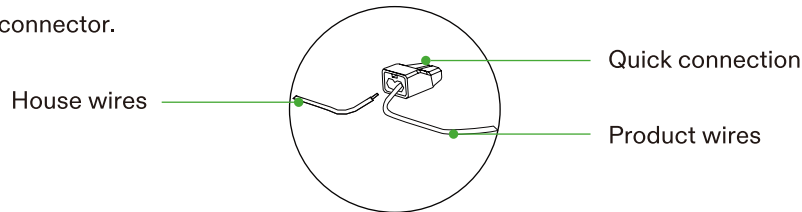
WIRE CONNECTION

⚠ WARNING:

- RISK OF ELECTRIC SHOCK! Make sure the power cord you are working on is disconnected.
- Wiring must comply with all applicable electrical codes. Lock out and tag out power before removing or installing connectors.

CAUTION:

- If your electrical wires do not match the colors listed, consult a licensed electrician to determine what each house wire represents before connecting the fan.
- Accessory part (quick disconnect) should conform to the installation instructions below.
- The connector is reusable on solid wires of the same wire gauge or smaller.
- Strip wires 3/8 in. - 1/2 in.
- Grip the wire firmly and push the stripped end of the wire into the open port of the connector. Use only one wire per port.
- Verify the stripped end of the wire is fully inserted into the back of the connector.



Exhaust fans with light are controlled with 4 different colored wires:

Black, Blue, Green, White. Each color corresponds to different parts. When wiring, please pay attention to checking the color of the wire and the content of the label on the wire to ensure that the wire is connected correctly.

Black: fan control wire

Green: ground wire

Blue: light control wire

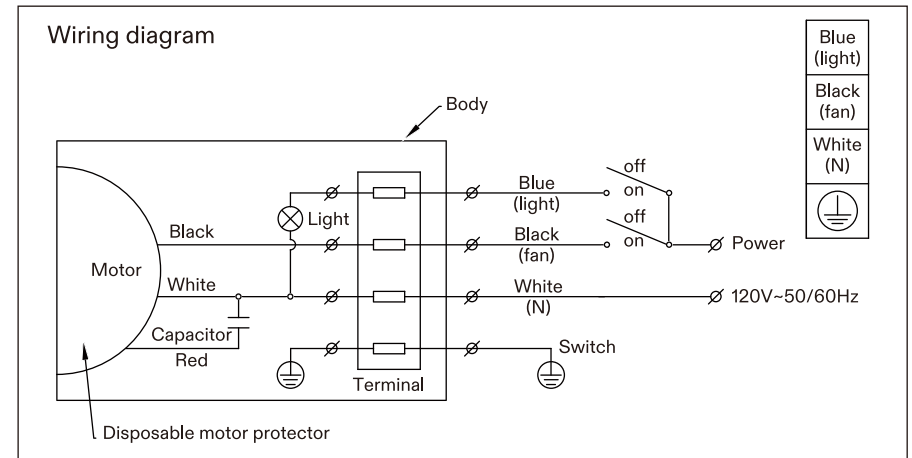
White: neutral wire

TWO KINDS OF WIRING

Fans and lights can be controlled independently or at the same time. We provide wiring diagrams for two methods. Please select the corresponding wiring method according to the desired result.

Please refer to the wiring diagram below to ensure proper wiring.

1. If you want the fan and the light to be turned on or off independently, you should choose the wiring method shown in Figure 1 below.

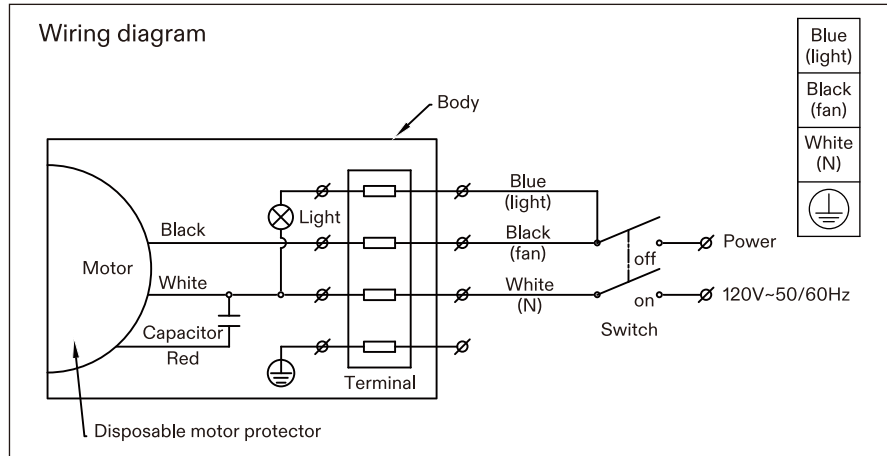


CORRECT WIRING:

- Light control wire The blue wire of the device (light control)
- Fan control wire The black wire of device (fan control)
- Neutral wire The white wire of the device (neutral)
- Ground wire The green wire of the device (ground)

TWO KINDS OF WIRING

2. If you want to turn the fan and light on or off at the same time, you should choose the wiring method shown in Figure 2 below.



CORRECT WIRING:

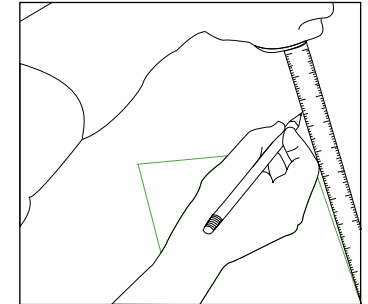
- Light control wire The blue wire + black wire of the device (light control + fan control)
- Neutral wire White wire (neutral)
- Ground wire Green wire (grounding)

INSTALLATION

WARNING: RISK OF ELECTRIC SHOCK! BEFORE INSTALLATION Ensure the power is off to the wires you are working on is shut off.

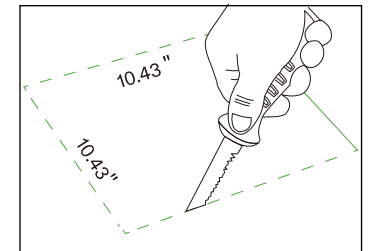
1. Measure the Opening

Ensure it is large enough to accommodate the 10.24" x 10.24" dimensions of the new fan housing.



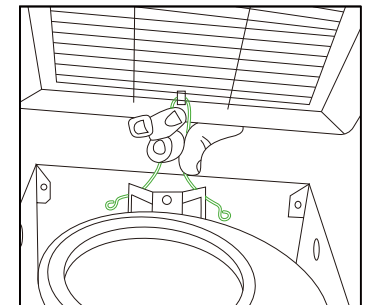
2. Cut Fan Hole

If this fan is not replacing an old fan, be sure to cut a 10.43" x 10.43" opening for the fan housing.



3. Remove the Panel

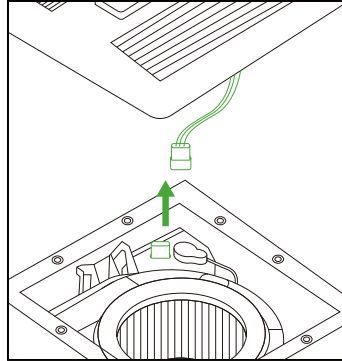
Lift one side of the panel, pinch the spring, and pull outward until the spring releases from the buckle. Repeat the process on the other side to lift the panel.



INSTALLATION

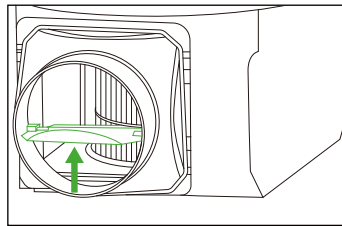
4. Disconnect the Lamp Board From the Driver

Pinch the connector and disconnect the drive from the lamp board.



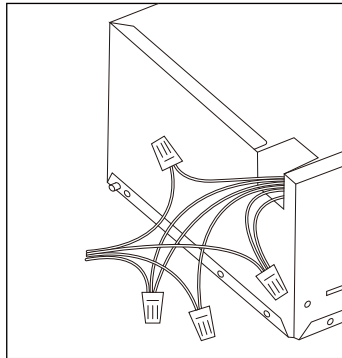
5. Check Valve

Remove the check valve from the accessory bag and install it in the position as shown.



6. Connect Wire

Pull out the corresponding control wire that you led from the wall switch, and use the quick-release connector to the control wire at the fan housing. Please refer to WIRE CONNECTION INSTRUCTIONS for wiring diagrams and wiring instructions to ensure proper wiring.



INSTALLATION

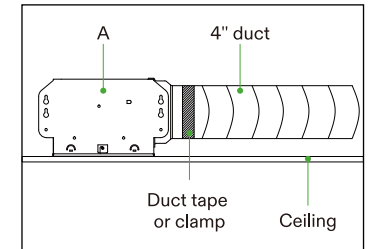
6. Connect Wire

WARNING: RISK OF ELECTRIC SHOCK! Make sure the power cord you are working on is disconnected.

CAUTION: If your electrical wires do not match the colors listed, consult a licensed electrician to determine what each house wire represents before connecting the fan.

7. Connect Ventilation Duct

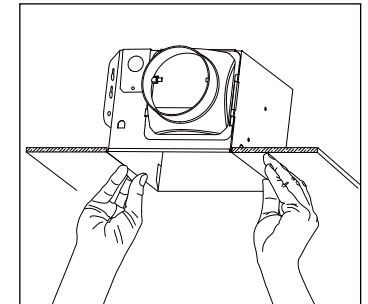
Connect a 4 inches circular duct to the duct connector on the fan housing, securing it with duct tape or a clamp. Vent the duct to the outside.



8. Fan Positioning & Calibration

With the wiring and duct connected, insert the fan housing into the ceiling hole.

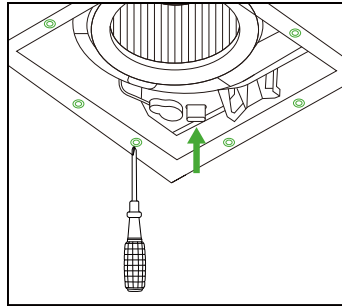
Position the fan housing so that the bottom edge of the fan housing is flush with the ceiling board.



INSTALLATION

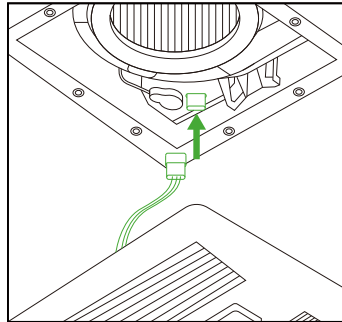
9. Drilling Screw

Place the box in the opening and drill eight screws to secure it.



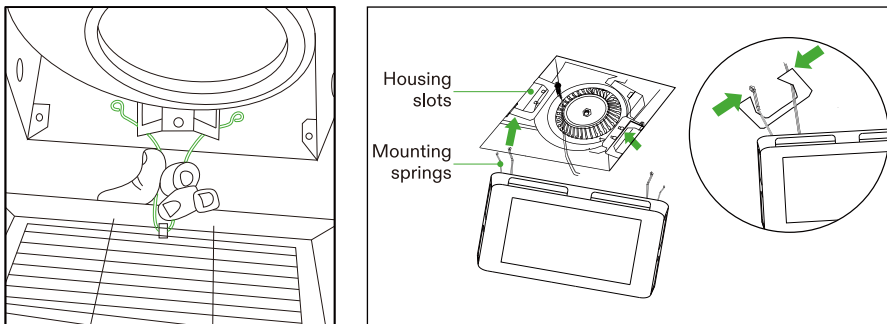
10. Connect the Lamp Board From the Driver

Connect the two terminals to connect the lamp with the driver.



11. Installation Panel

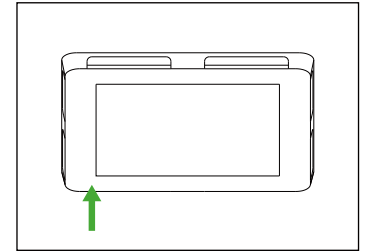
Attach the grille by pinching the mounting springs and inserting them into the narrow rectangular slots in the fan housing.



INSTALLATION

12. Installation Complete

When the installation is complete, and turn on your exhaust fan with light.



WARRANTY

Customer Service

Every product sent to you has gone through a series of quality inspection processes. You take NO RISK by purchasing VIVOSUN Exhaust Fan with Light! If it doesn't work well for you, please contact us and we are willing to provide the best solution for every dear customer!