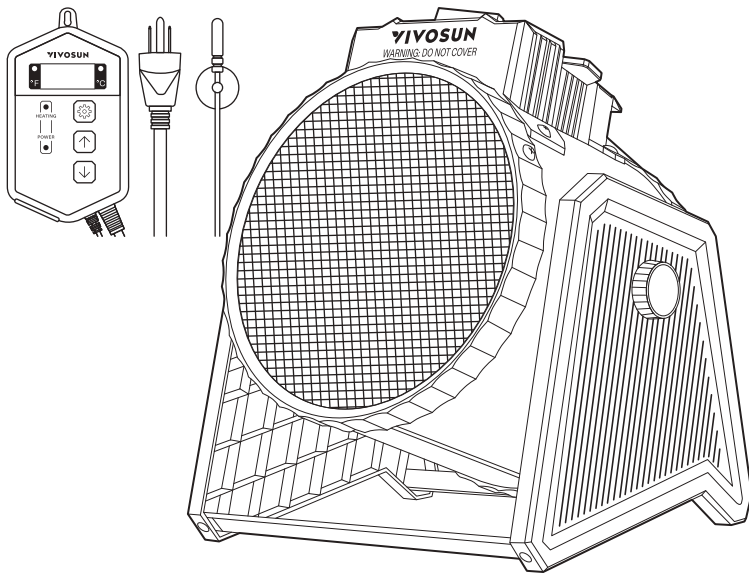


VIVOSUN



Electric Heater with Digital Thermostat

USER MANUAL

Love what you grow™

Welcome to **VIVOSUN**

At Vivosun, quality craftsmanship and innovation are at the core of every product we create. Should you require further support or wish to share any suggestions, please don't hesitate to contact us.

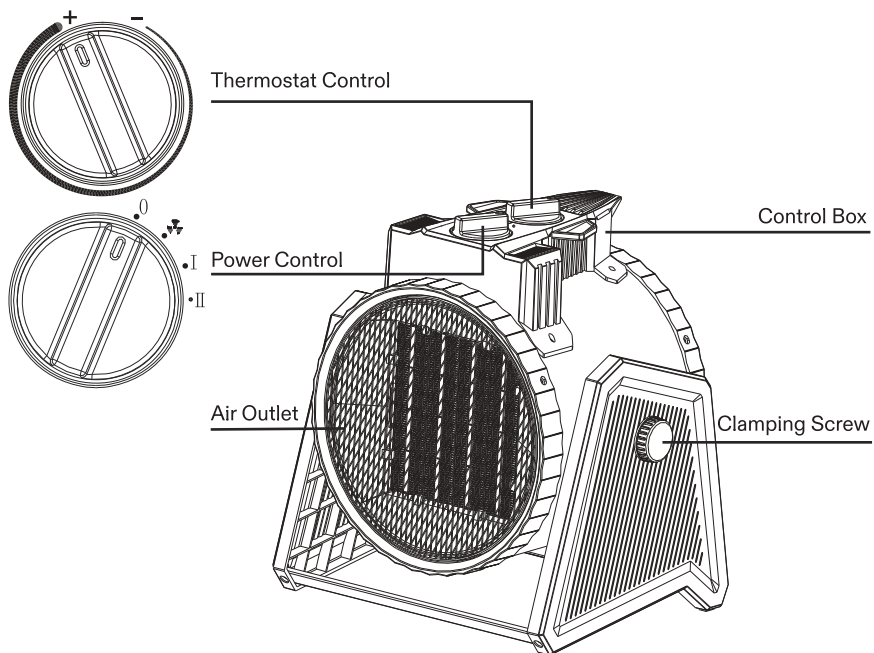
CONTENTS

Specifications	1
Product Structure Diagram	1
Electrical Schematic Diagram	2
Instructions	2
Cautions	3
Maintenance and Storage	5
Troubleshooting	5
Components Included	6
Warranty	6
Optimum Temperature Chart	7
Controller Setup	8
Controller Usage	8
A Few Tips	9
Controller Warranty	9

SPECIFICATIONS

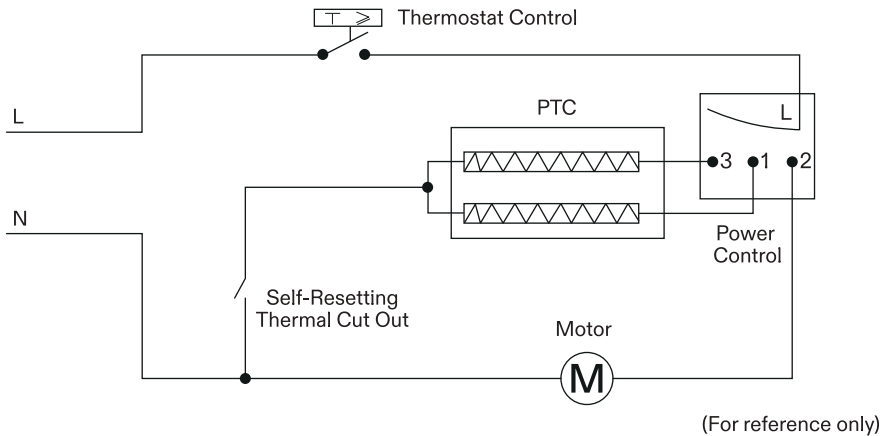
Item No.	Rated Voltage	Rated Frequency	Rated Power
SFP1.5-21A	120V	60Hz	1500W
Anti-Electric Shock Rating	Class II	Waterproof Rating	IP20

PRODUCT STRUCTURE DIAGRAM



(For reference)

ELECTRICAL SCHEMATIC DIAGRAM



INSTRUCTIONS

Before use, check whether all parts are complete and in good condition.

1. Remove the product from the packaging, ensuring the unit is in the OFF position before plugging it into an electrical outlet.
2. Before using the heater, ensure it is placed on a flat and stable surface.
3. Plug the power cord directly into a standard AC power outlet. If the plug does not fit firmly into the outlet, the outlet may need to be replaced.
4. First, turn the thermostat control knob clockwise to the maximum setting. Next, turn the power control knob clockwise to the "cold air" position (❄️). In this position, cold air will be expelled.
5. Once you see that cold air is being blown out as expected, turn the power control knob clockwise to the position you need. When you turn it to "I", the machine will heat with low-grade power; when you turn it to "II", the machine will heat with high-grade power. At this time, you will see that the air is blown out at a higher pressure while the heater operates to circulate heat through the airflow.

INSTRUCTIONS

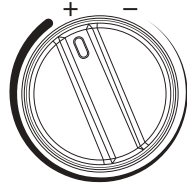
6. If you want to maintain the current indoor temperature, slowly rotate the thermostat control knob counterclockwise. When you hear a "click" sound, the heater will stop working, indicating that the temperature control setting is complete. When the heater detects that the temperature is lower than the set temperature, it will automatically resume operation.
7. Always turn off the power supply and unplug the device when not in use or if no one is near the device.

Tip 1: After using the heater, turn it to emit cold air for 20-30 seconds before turning it off. This will extend the heating element's lifespan.

Tip 2: There may be slight smoke when heating the device for the first time. This is normal and no cause for concern.

Tip 3: If the product cannot be positioned securely, tighten the clamping screw by hand.

Keep the thermostat control knob in the maximum position at all times during use.



CAUTIONS

Before using the heater for the first time, ensure that the voltage and current you are using comply with the requirements indicated on the product label.

1. If the mains cord is damaged, it must be replaced by a professional designated by the manufacturer, maintenance department, or a similar department in order to avoid any hazard that may arise by an improper electrical connection.

CAUTIONS

2. Do not use the device in places where objects, such as curtains, may be sucked into the fan.
3. Do not use this product in environments with flammable or explosive materials. The ambient temperature should not exceed 30°C (86 °F), and keep at least 50cm (20in) away from combustible materials to prevent fires.
4. If you do not plan to use the device for an extended period, turn off the power supply and unplug the device.
5. Disconnect the appliance from the mains during a power outage or surge. The fire protection cover prevents direct contact with the heating element and must be in place when the heater is in use. Note that it does not provide comprehensive protection for children and people with physical challenges. Be cautious around the device.
6. Do not use this heater around bathtubs, water jets, or swimming pools.
7. Please check the power cord and plug for damage before use. Do not crease, bend, or pull the power cord.
8. Do not pull on the power plug with wet hands to avoid the risk of electric shock.
9. Do not place the heater directly beneath an electrical outlet.
10. Do not insert hands or foreign objects into the machine while it is operating. This may cause injury or damage to the machine. Pay special attention to children near the device.
11. Children should be supervised to ensure they do not play with the device.
12. If used by individuals with reduced physical, sensory, or intellectual abilities, or by those (including children) lacking experience or common sense, adequate supervision and instruction must be provided by a responsible person to ensure their safety.
13. To remove stains from the heater's surface, wipe it with a soft cloth dampened with soapy water. Do not use organic solvents such as gasoline or alcohol.
14. Do not use the heater in environments with high temperatures, high humidity, excessive dust, or volatile substances (such as acid-based oils).

MAINTENANCE AND STORAGE

Turn off the power before maintenance.

1. When there is oil on the device, clean it to avoid discoloration and damage.
2. After cleaning and maintenance, return the parts to the original box with the original packaging in the order the unit came in, and store the device in a cool, dry place for safekeeping.
3. This machine only needs general external cleaning and maintenance. Do not open the device.
4. Wipe with a neutral detergent, then wipe with a clean, soft cloth.
5. Do not rinse directly with water.
6. Do not wipe with thinner, toluene, acid lotion, oil, etc., to avoid discoloration or deterioration.

TROUBLESHOOTING

If your heater fails to operate:

1. Check if the power cord is plugged into the electrical outlet. If not, plug it in.
2. Check if the main fuse is working and there is electricity.
3. The thermostat may be set too low. Turn the Thermostat Control clockwise until the heater begins operating.
4. Make sure the electrical outlet or circuit breaker is working properly.
5. Check for obstructions. If you find an obstruction, turn the heater OFF and unplug the unit. Carefully remove the obstruction and follow the reset instructions.

COMPONENTS INCLUDED

- 1 x Instruction Manual
- 1 x Greenhouse Heater
- 1 x Digital Temperature Controller
- 1 x Suction Cup

WARRANTY

This product is warranted for one year from the date of sale (subject to the invoice or proof of purchase), if it falls under any of the following circumstances, three warranties are not implemented, and fee-based maintenance is implemented:

1. Damage caused by improper use, maintenance, or storage by the consumer.
2. Damage caused by disassembly not performed by the company's designated department.
3. Damage caused by force majeure.

OPTIMUM TEMPERATURE CHART

The ideal temperature is critical to growing strong, healthy plants. Excessive heat or cold will result in poor quality growth and smaller harvests.

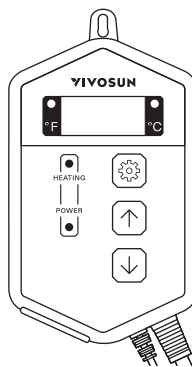
Optimum temperature	Temperature for seed germination		Temperature for transplanted plants			
			Day		Night	
Plant type	°C	°F	°C	°F	°C	°F
The Verbena family, herbs, shrubs, and trees	18	65	24	75	18	65
Flowering Plants						
Alyssum	21	70	16	60	10	50
Aster	21	70	24	75	18	65
Calendula	21	70	16	60	10	50
Dahlia	21	70	24	75	18	65
Dianthus	21	70	16	60	10	50
Petunia	21-27	70-80	16	60	10	50
Marigold	21-27	70-80	24	75	18	65

Product Summary:

A separate digital temperature controller is included, compatible with the Vivosun 1500W Electric Heater. This controller allows you to select and maintain the optimal rooting temperature for faster seedling or cutting growth.

CONTROLLER SETUP

1. Insert the probe approximately 1 - 1/2 inch into the rooting area.
2. Position the thermostat up and away from seedling trays and splashing water.
DO NOT SUBMERGE THE THERMOSTAT.
3. Plug the heater's 2-prong plug into the left bottom corner of the digital thermostat controller.
4. Plug the 3-prong plug from the digital thermostat into a 110V power source/electrical outlet.
5. Keep the knob of the heater at the maximum setting.
6. Adjust the Power Control knob of the heater (off, fan, I = 750W heat, II = 1500W heat) to your desired setting.



CONTROLLER USAGE

1. Press the "SET" button to display the preset temperature. The thermostat's LED screen will show the current temperature when the SET button is not activated.
2. Press and hold the SET button for three seconds to enter the temperature selection mode. Press the "UP" or "DOWN" button to adjust the temperature. The thermostat's LED screen will show the numbers as you cycle through them. Press the SET button again to set the selected temperature. The HEATING light will turn on when the heater is heating. When the LED is off, the heater is not providing heat. The light will turn off automatically when the heater reaches the preset temperature.
3. Press the "DOWN" button to display the temperature in Celsius. Press the "UP" button to display the temperature in Fahrenheit.

A FEW TIPS

In the event that you would like to use your thermostat to control the air temperature, we've included a suction cup so that the probe can be mounted outside the rooting area. Simply clip the suction cup over the probe and attach it to the desired area. If you have trouble with the suction cups, try getting them slightly wet before applying.

This digital temperature controller is also compatible with Vivosun heat mat and many other heat mat brands.

CONTROLLER WARNING

Do not immerse the controller in water.

If the probe temperature reaches 108°F, the automatic safety shut-off will activate.

Designed by **VIVOSUN** in California.

Made in China