

VIVOSUN

Designed by **VIVOSUN** in California.
Made in China



AeroStream

Intelligent Environmental Humidifier

USER MANUAL

Love
what
you
grow™

Welcome to **VIVOSUN**

At VIVOSUN, quality craftsmanship and innovation are at the core of every product we create. Should you require further support or wish to share any suggestions, please don't hesitate to contact us.

Product

SKU

AeroStream Intelligent Environmental Humidifier H19

VSE-ASH19

CONTENTS

Safety Information	1
Key Features	2
Product Contents	3
Specifications	4
Installation	5
Setup	7
Control Panel	10
Operating Modes	12
Other Settings	16
Wifi Configuration	18
Maintenance	20
Complete Your Setup	23
Warranty	26

SAFETY INFORMATION



Please read the following instructions carefully before using this device. Failure to observe these safety instructions may result in injury and will release VIVOSUN of all liability and void all product warranties.

IMPORTANT SAFETY INFORMATION:

1. Ensure that your power source meets the electrical requirements specified for this product.
2. Familiarize yourself with all instructions before proceeding with the installation and operation of this product.
3. Do not dismantle or attempt to repair or adjust the unit without authorization, as this will invalidate the product's warranty.
4. Use ONLY distilled water and avoid pouring water into the central pipe to maintain proper functionality of this device.
5. Always turn off and unplug the humidifier before installing, cleaning, or moving it. When not in use, unplug the humidifier from the power outlet.
6. Do not touch the water in the tank or any components in the water with any part of your body while the humidifier is operating.
7. Do not operate the humidifier without water. Doing so may damage the unit.
8. Do not direct the mist outlet towards electrical appliances, such as clip-on fans, lights, or inline fans.
9. Do not cover power cords with rugs or other fabric materials.
10. When cleaning, do not allow water to flow or splash into the interior of the unit to avoid damaging internal components.
11. Do not place this product in potentially hazardous environments such as flammable, explosive, electrical, or chemically-laden atmospheres.
Place it on a flat, sturdy surface to keep it stable and prevent tilting and water spillage.
Keep it away from heat sources such as stoves and direct sunlight.
Place it in a room-temperature environment to avoid damage from cold temperatures.
12. Keep the humidifier out of reach of children.

KEY FEATURES

1. USER-FRIENDLY DESIGN

19L opaque black water tank and ergonomic design suitable for various usage scenarios.
Convenient large opening water inlet located on the control panel for easy use.

2. PRECISE READINGS

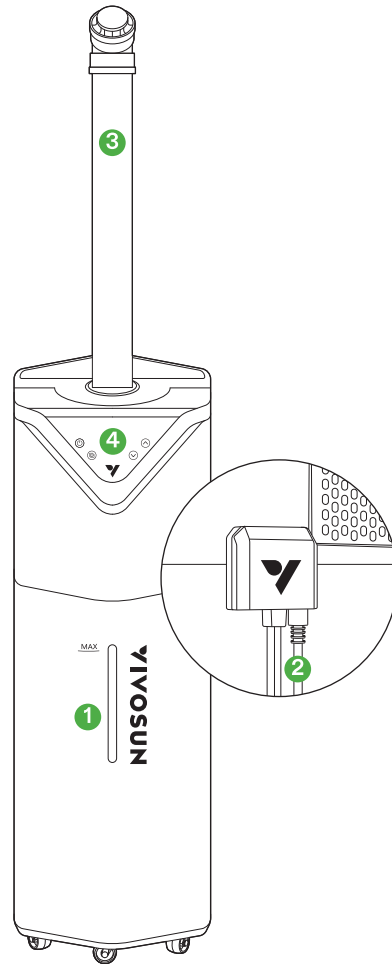
External temperature and humidity probes can be connected for precise, targeted environmental readings.

3. VERSATILITY

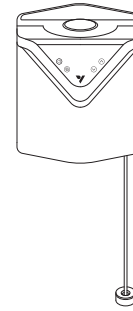
Various accessories available to suit different usage scenarios.

4. PHANTOM MODE

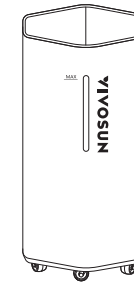
Turn off the screen while operating to prevent light pollution.



PRODUCT CONTENTS



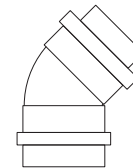
Top Module
*1 PC



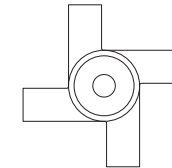
Water Tank
*1 PC



Straight Pipe
*1 PC



Elbow Nozzle
*1 PC



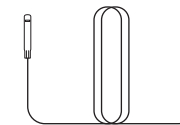
5-Way Nozzle
*1 PC



Flexible Hose
*1 PC



Cleaning Brush
*1 PC



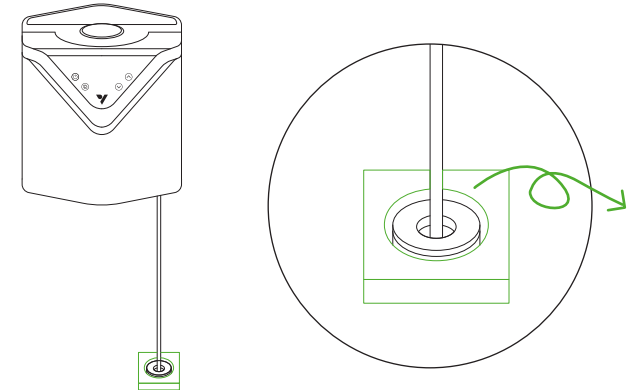
Temperature & Humidity Sensor 3m
*1 PC


SPECIFICATIONS

Dimensions	9.44 x 10.43 x 47.44 in. (240×265×1205mm)
Net/Gross Weight	11.68 lbs/ 14.33 lbs (5.3kg/6.5kg)
Water Tank Capacity	5 gal (19L)
Max Humidity Output Rate	44 fl oz/h (1300 ml/h)
Voltage	100V-240V~
Frequency	50/60Hz
Wattage	100W
Noise Level	≤46dB(A)
Operating Temperature Range	41°F to 122°F (5°C to 50°C)
Operating Humidity Range	20%-99% RH

INSTALLATION

STEP 1 Before initial use, remove the humidifier from its packaging and discard the outer plastic wrap and protective foam. Make sure to remove the protective foam from the water pipe filter and retrieve the accessories from inside the water tank.



STEP 2  **Important Note:** During the initial use of your humidifier, please allow a short priming period. The device will need a few moments to draw water from the water tank and fill the top module.

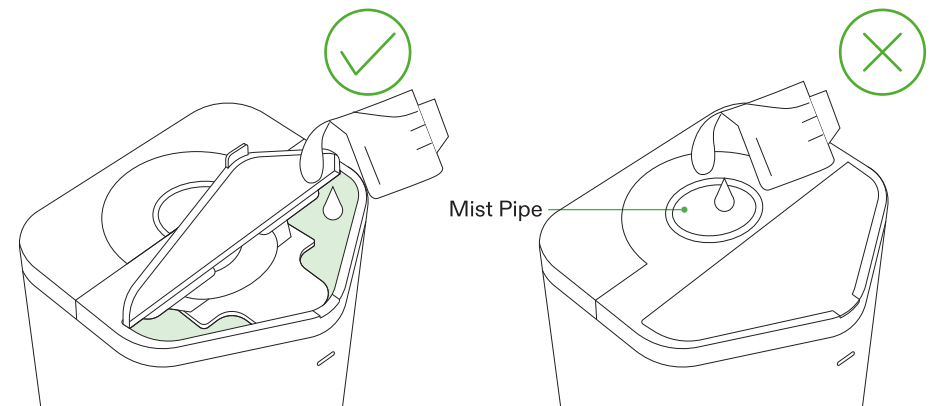
When filling the tank, please slowly add water from the sides.

Observe water level markings when filling. Avoid overflow and spillage from filling too quickly.

CAUTION: DO NOT pour water into the mist pipe.

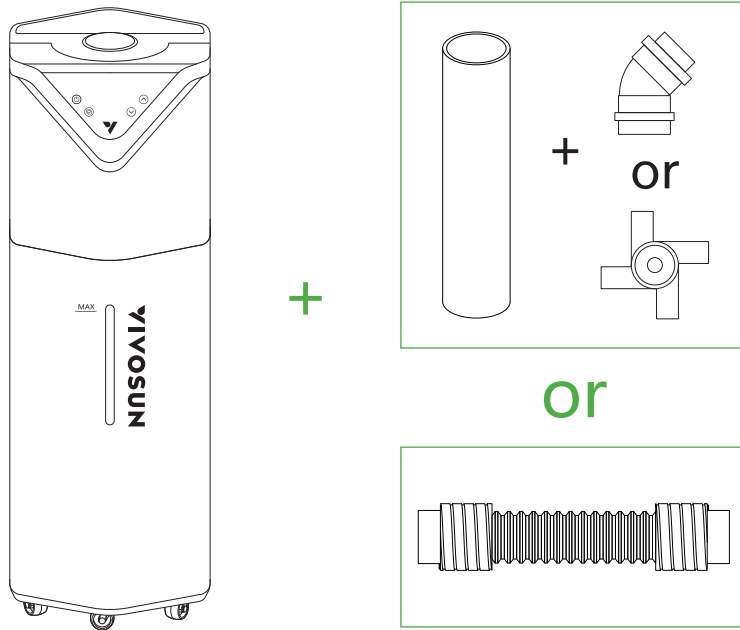
NOTE: For optimal performance, use **DISTILLED WATER ONLY**;

Clean and maintain on a weekly basis.



INSTALLATION

STEP 3 Depending on the usage scenario, install either straight pipe or flexible hose. The straight pipe can also be used in conjunction with various accessories.



 **WARNING**

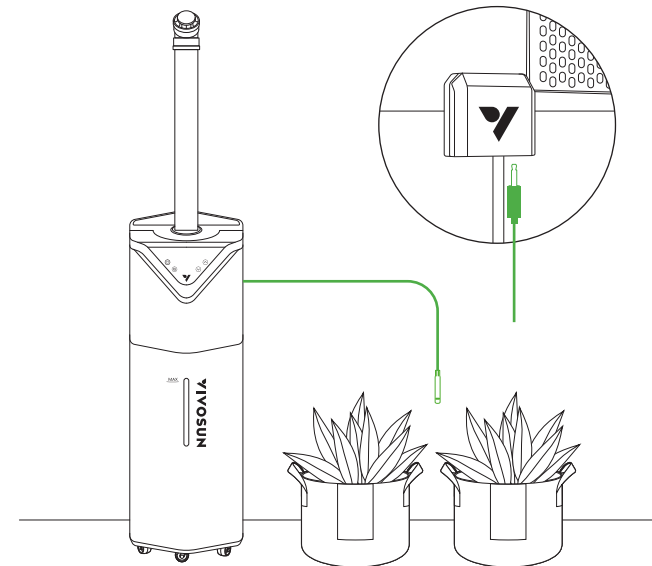
Under normal operating conditions, please refrain from tilting the machine or emptying water from the top module. Such actions may damage the top module and void the warranty.

SETUP

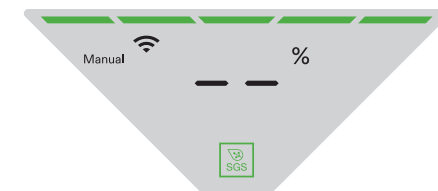
STEP 1 Insert the temperature and humidity probe into the 2.5mm jack located to the right of the power cord.

Crucial Note: When inserting the jack, make sure to hear a distinct clicking noise. This clicking sound confirms that the jack is properly and securely locked into place.

Point the probe at the desired area and secure it.



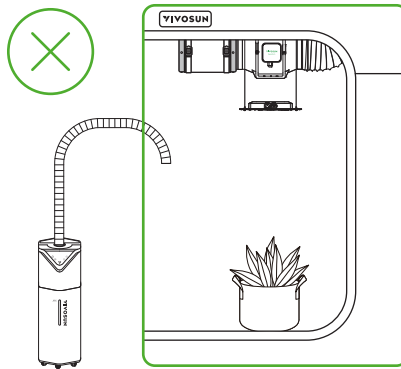
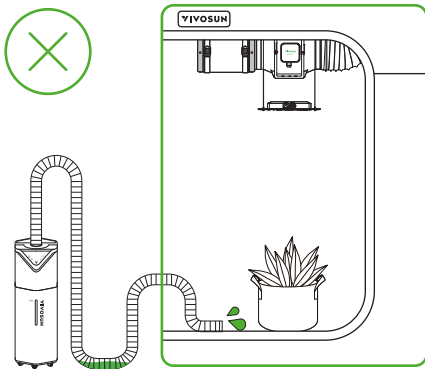
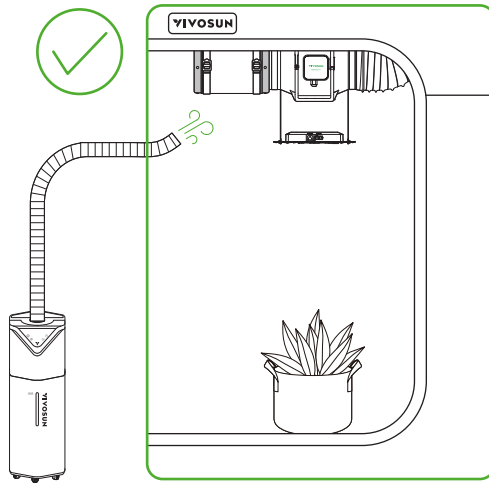
When the temperature and humidity probe is not connected, the screen will display "--".



SETUP

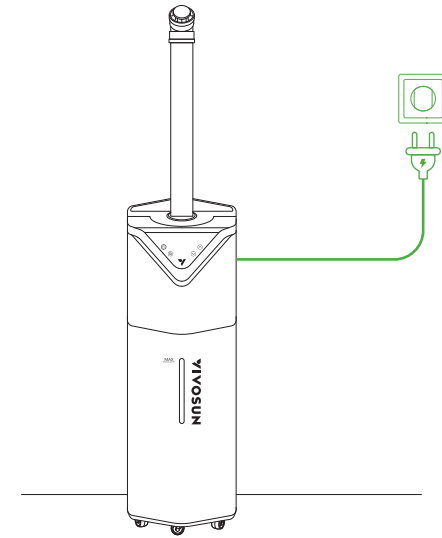
STEP 2 When using the flexible hose, please note the following:

1. Avoid creating U-bends in the hose, as this may cause water accumulation, leading to spillage and obstructing mist emission.
2. The mist outlet must always be pointed upwards.
3. Dry the hose after use.

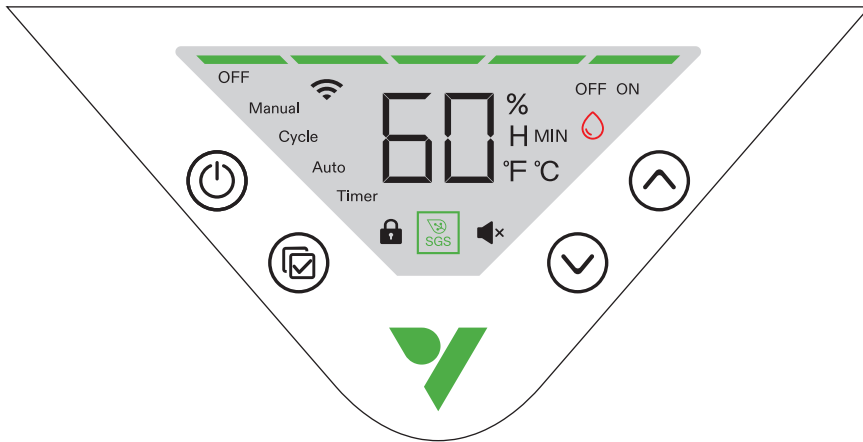


SETUP

STEP 3 Once the power cord is plugged in and the desired mode is selected, you can start using the device.



CONTROL PANEL



On/Off Button

Press to turn On.
Press and hold for 3 seconds to turn Off.



Menu/Confirm Button

Press and hold the Menu Button to enable mode selection between Manual, Cycle, Auto and Timer. Press again to confirm.



Up Button

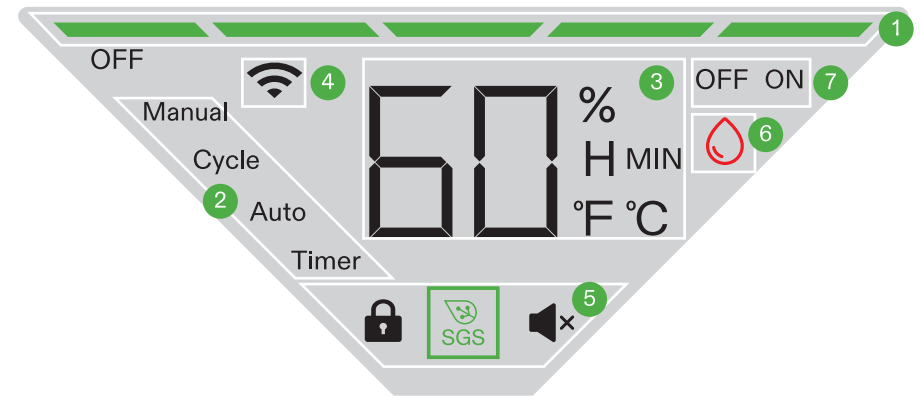
Press the Up Button to increase value of current setting (Mist Level, Time, etc.).



Down Button

Press the Down Button to decrease value of current setting (Mist Level, Time, etc.).

CONTROL PANEL



1. Mist Level

Current Mist Level.

2. Operating Modes

Manual, Cycle, Auto, Timer.

3. Probe Reading

Alternately displays the current humidity and temperature.

Displays remaining time in Cycle and Timer mode.

4. Wifi Connectivity

Indicates WiFi connection. No Wifi Icon indicates device is offline. Wifi Icon will flash when searching and connecting to a network.

5. Status Icons

Displays the device setting status, including (cloud) lock, mute, and SGS connectivity.

6. Water Level Icon

Displays the water level status of the device. When water level is low, the icon lights up.

7. Operational Status

OFF indicates the device is paused.

ON indicates it is running.

Operational duration is displayed when setting parameters in Cycle and Timer modes.

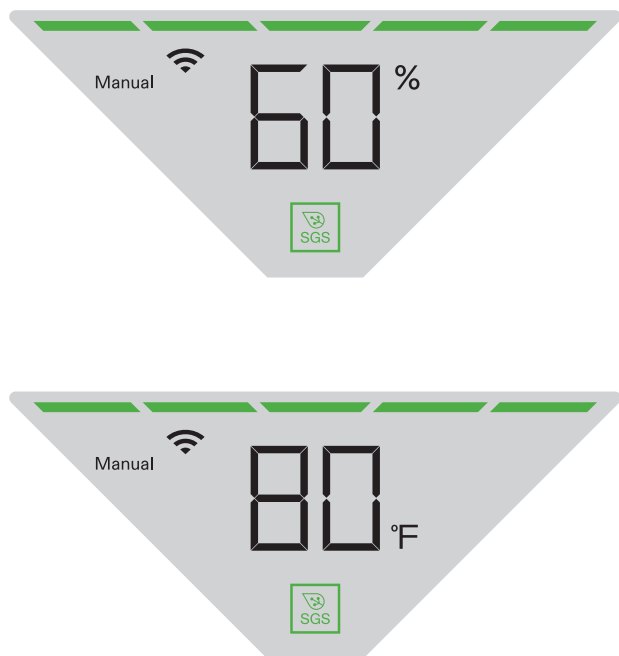
OPERATING MODES

Manual Mode:

The device will operate according to the mist level set in Manual Mode.

Press and hold Menu button to enter Mode Selection. Press the Up or Down button to select Manual Mode and press Menu button again to confirm. Then set mist level using the Up/Down button and press Menu button to activate Manual Mode.

The screen will alternately display the mist level, current humidity, and temperature in this mode.



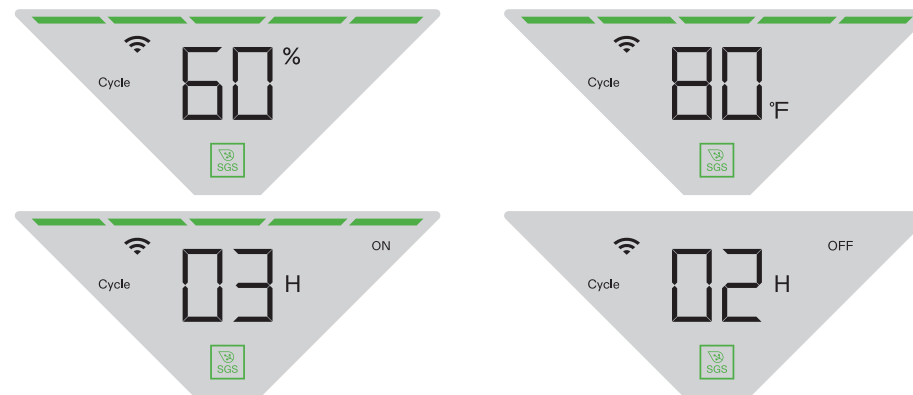
OPERATING MODES

Cycle Mode:

The device will cycle and run continuously according to the set mist level and run/pause time.

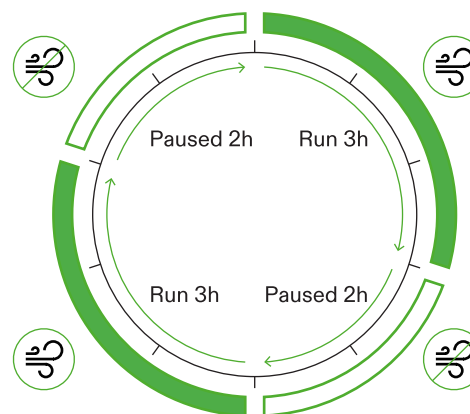
Press and hold Menu button to enter Mode Selection. Press the Up or Down button to select Cycle Mode and press Menu button again to confirm. Set operating and rest duration (On and Off duration) by pressing Up/Down button and press Menu button to confirm. Then set mist level using the Up/Down button and press Menu button to activate Cycle Mode.

The screen will alternately display the mist level, current humidity, temperature, and remaining run/pause time of the device in this mode.



* 3H ON: Under this configuration, the device will operate for 3 hours.

* 2H OFF: Under this configuration, the device will pause for 2 hours.



* The device only displays duration setting accurate to the hour and rounds up to the nearest whole number. For precise minute settings, please refer to the Vivosun app.

OPERATING MODES

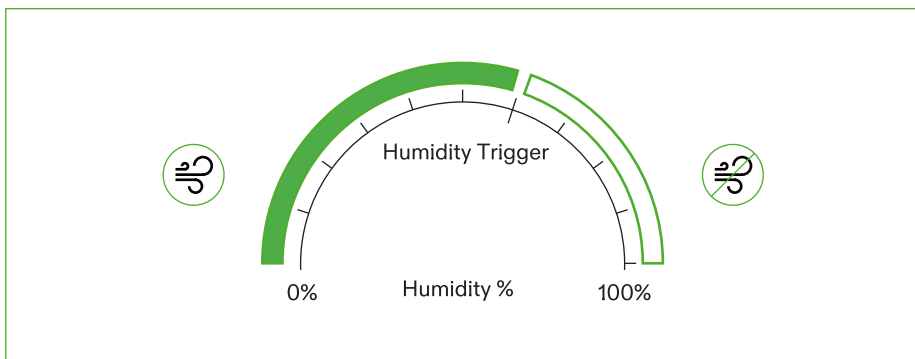
Auto Mode:

The device will operate according to the set mist level and humidity threshold (Low Humidity Trigger).

Once humidity falls below the Low Humidity Trigger, the humidifier will start operating. Conversely, once humidity exceeds the Low Humidity Trigger, the humidifier will stop operating.

Press and hold Menu button to enter Mode Selection. Press the Up or Down button to select Auto Mode and press Menu button again to confirm. Set target humidity by pressing Up/Down button and press Menu button to confirm. Then set mist level using the Up/Down button and press Menu button to activate Auto Mode.

The screen will alternately display the mist level, current humidity, temperature, and operating status in this mode.



OPERATING MODES

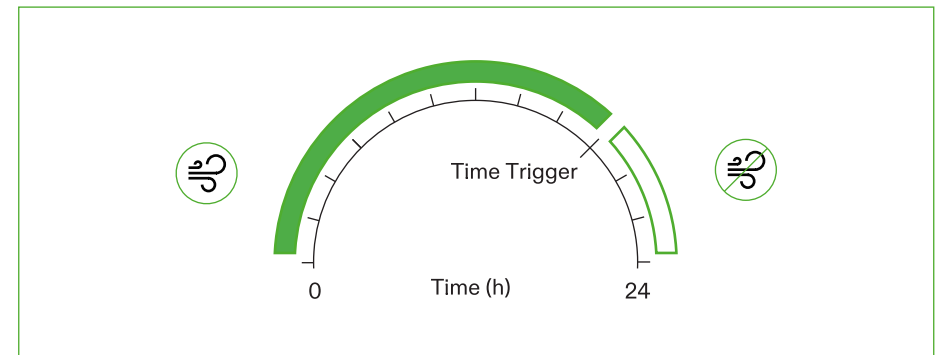
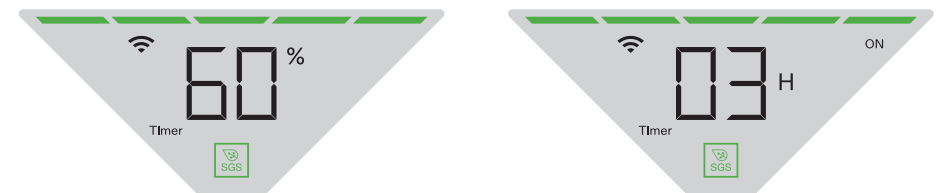
Timer Mode:

The device will operate according to the set mist level and time.

After timer ends, the device will stop operating.

Press and hold Menu button to enter Mode Selection. Press the Up or Down button to select Timer Mode and press Menu button again to confirm. Set desired operating duration by pressing Up/Down button and press Menu button to confirm. Then set mist level using the Up/Down button and press Menu button to activate Timer Mode.

The screen will alternately display the mist level, current humidity, temperature, and remaining operating time of the device in this mode.



* The device only displays duration setting accurate to the hour and rounds up to the nearest whole number. For precise minute settings, please refer to the VIVOSUN app.

OTHER SETTINGS

Function	Operation
Switch Temp Unit	Press and hold Up Button to switch between °C and °F.
Mute Device	Press and hold Down Button to mute/unmute.
Device Lock	Press and hold On/Off and Up Button for 3 seconds to lock/unlock device. Note: When device is locked, settings cannot be adjusted.
Phantom Mode (Hide Screen)	Press and hold On/Off and Up Button for 3 seconds to lock device first; Press On/Off Button again to enter Phantom Mode (Hide Screen). Press any button to light up the control panel.
Exit Recipe	Press and hold Menu Button for 3 seconds to exit Recipe while Recipe is running.
Screen Auto-Off	Set Panel Auto-Off via Vivosun App
Factory Reset	Press and Hold On/Off and Menu Button for 3 seconds to reset device to factory settings.

OTHER SETTINGS

Low Water Level Alert

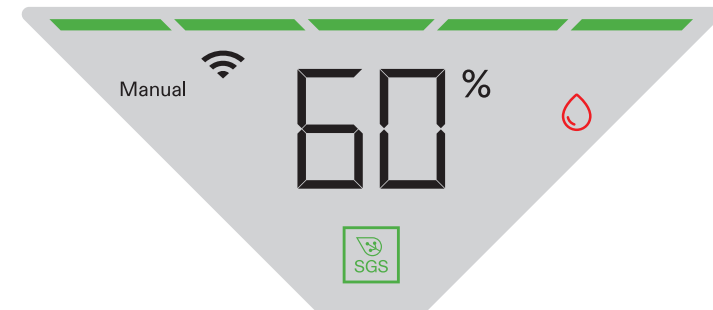
This Alert will display when water level is low. Device will pause operation when in this status until water is refilled.

If the device is connected to Vivosun App, you will receive a low water level push notification.

Refill water and press On/Off Button to resume operation.

*At this point, the device will draw water from the water tank to the top module. The alert will remain illuminated until a sufficient amount of water is available to initiate operation.

Alert Icon will flash if pressing any button.



WIFI CONFIGURATION


CONNECT AEROSTREAM TO VIVOSUN APP

Step 1: Download VIVOSUN APP

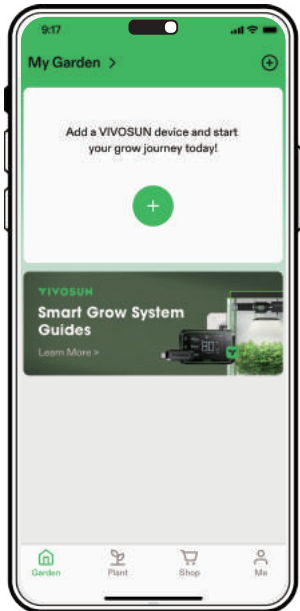
Search "VIVOSUN" in the Apple App Store or in the Google Play Store to download the VIVOSUN app.



Step 2. Add AeroStream

Tap "+" or ⊕ to add AeroStream. When connecting to VIVOSUN app,  will flash on the control panel.

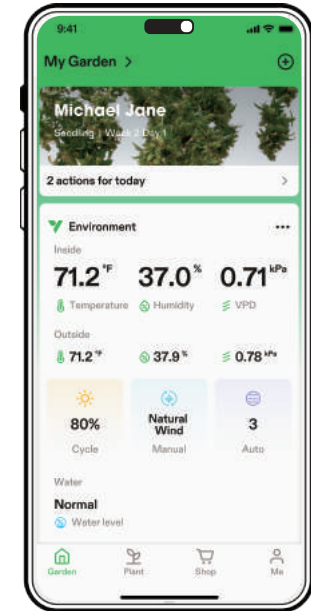
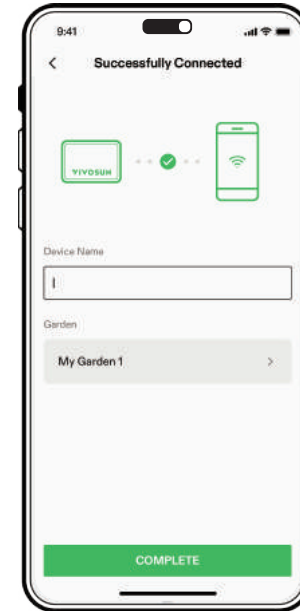
Note: Make sure you have a 2.4G WiFi connection, and that Bluetooth is enabled on your phone.



WIFI CONFIGURATION

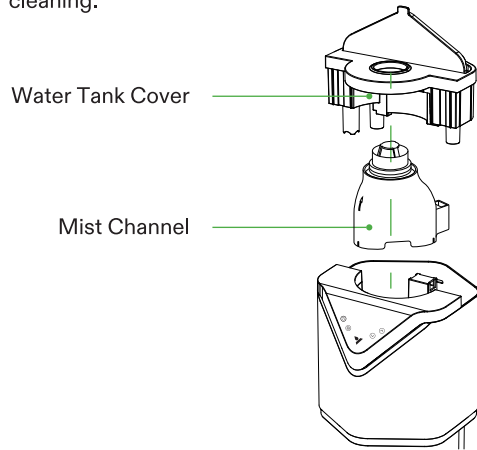
Step 3. Name Device

After connecting successfully, you can rename your device.

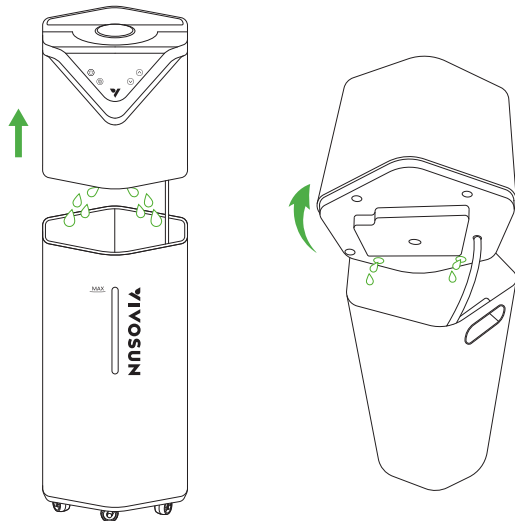


MAINTENANCE

- STEP 1** - Turn off the humidifier and unplug it from the power outlet. Detach the straight pipe/ flexible hose.
- Remove the water tank cover and mist channel. Place them in a sink for cleaning.

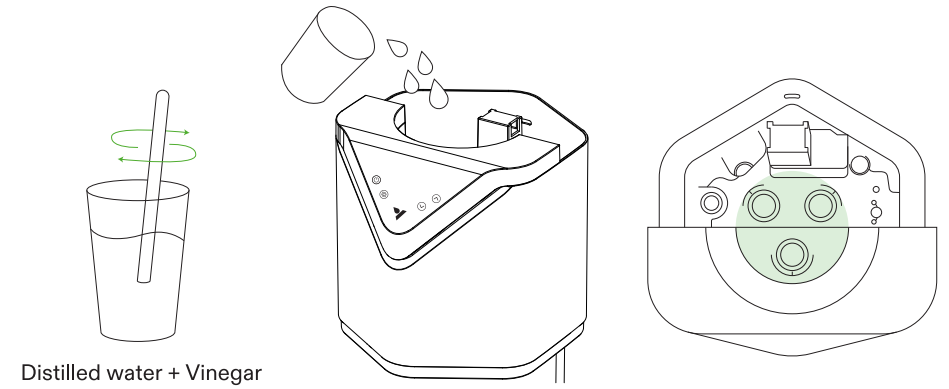


- STEP 2** - Lift and tilt the top module.
- Pour the water from the top water reservoir through the funnel into the water tank.
 - Empty any remaining water from the water tank.

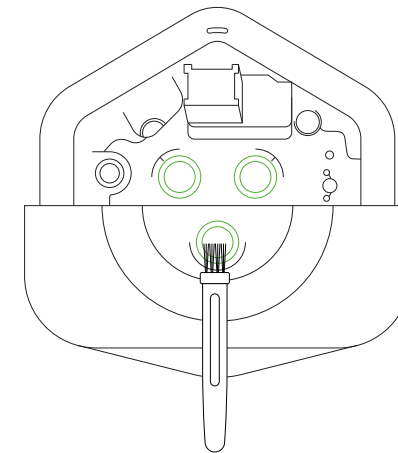


MAINTENANCE

- STEP 3** - Mix half a cup of distilled water and half a cup of vinegar in a 1:1 ratio.
- Pour the mixture into the top module.
 - Wait 10 minutes.



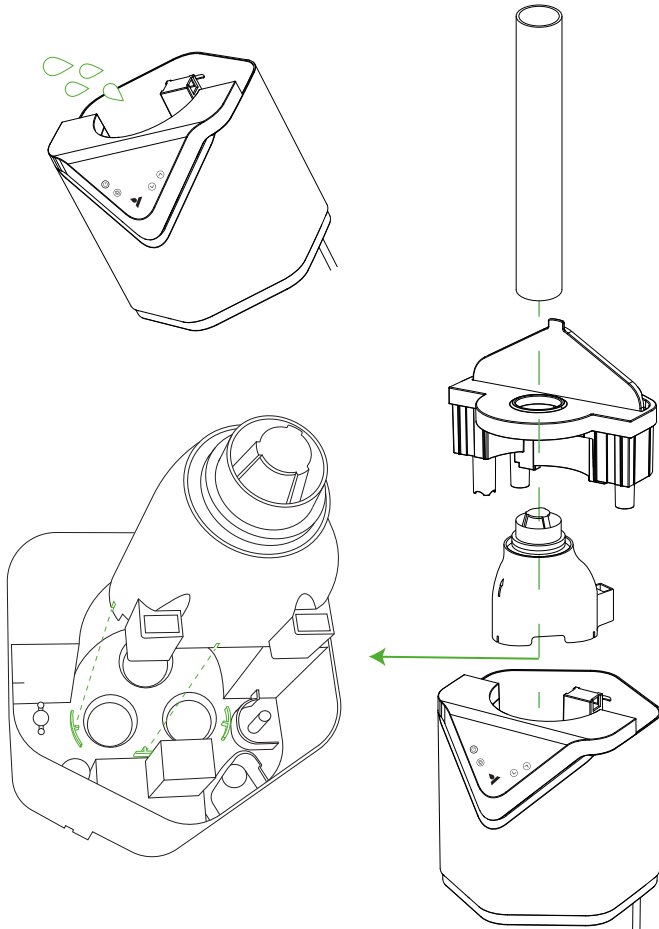
- STEP 4** Use the included cleaning brush to gently scrub the three surface ionizers of the humidifier to remove any residue or debris.



MAINTENANCE

- STEP 5** - Pour the mixture out of the top module.
- Use a clean towel to wipe the surface of the top module and the water tank.
 - Reassemble the water tank, top module, mist channel (making sure it is inserted correctly), water tank cover, and hose/pipe in sequence.

⚠ After cleaning, please patiently wait for the device to draw water from the water tank to the top module, similar to the initial startup process.

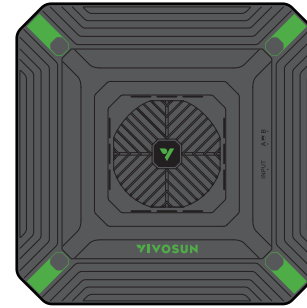


COMPLETE YOUR SETUP

LED GROW LIGHT

AeroLight/VS/VSX/VSF

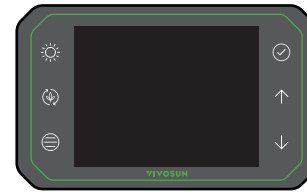
- 100W-645W high-powered LED grow light
- High PPE efficacy with Samsung LED
- Full spectrum including FR/UV
- 0-100% dimming with daisy-chain capability
- ETL/CE/FCC certified
- Compatible with GrowHub controller



CONTROLLER

GrowHub E42/E42A

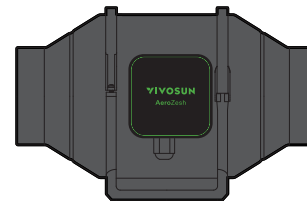
- WiFi remote control with VIVOSUN App
- Complete control of lights, inline fans and circulation fans
- Temp./Humidity monitoring and control
- Compatible with VIVOSUN devices such as AeroLight, AeroZesh, VS series lights
- Professional controller designed for growers of all levels



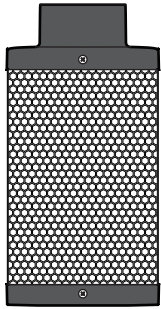
INLINE DUCT FAN

AeroZesh

- Efficient airflow with high static pressure
- 4" / 6" / 8" for different sized tents
- Energy efficient and quiet EC motor
- Dual ball bearings with long lifespan
- Precise fan speed adjustment by PWM
- Compatible with GrowHub controller for multiple professional operation modes

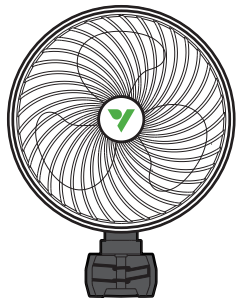


COMPLETE YOUR SETUP



CARBON FILTER

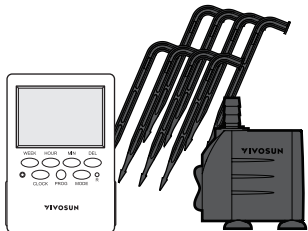
- Eliminates odors and refreshes air
- Premium-grade Australian charcoal
- High absorption efficiency and long lifespan
- 4" /6" /8" compatible with different inline fans



CLIP-ON CIRCULATION FAN

AeroWave

- Patented clip-on design
- Automatic oscillation
- Adjustable fan speed
- High airflow and energy efficient
- Compatible with GrowHub controller (E Series)

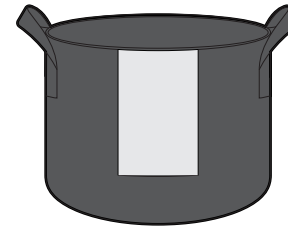


IRRIGATION SYSTEM

FlexFeed

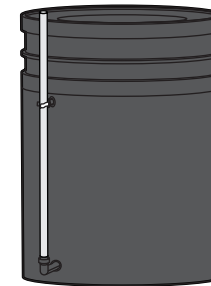
- Automated drip irrigation system
- Professional irrigation settings
- Precise and stable irrigation
- Quiet and efficient
- Easy to install

COMPLETE YOUR SETUP



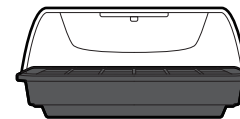
GROW BAG

- Various sizes ranging from 1-30 gallons
- 300G durable nonwoven fabric
- Root breathable and air pruning



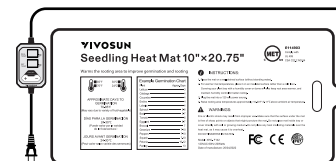
DWC HYDROPONIC SYSTEM

- DWC+Top Dripping hydroponic system
- Efficient air-driven top dripping technology
- One or four 5-gallon bucket(s)
- Suitable from seedling to harvest
- Easy to install and automated operation



PROPAGATION TRAY & HEAT MAT

- Propagation tray and heat mat kit
- Transparent dome with humidity adjustment
- Heat mat with precise temperature control
- Easy and safe to use



For additional information about our products and personalized recommendations for a growing system tailored to your needs, please don't hesitate to get in touch with us.

WARRANTY

VIVOSUN provides a one-year warranty against defects on AeroStream Humidifiers purchased directly from us or through our authorized dealers. This policy serves as our commitment to promptly address any manufacturing defects or premature breakage that may occur during normal use of our products.

Our warranty covers the replacement or refund of purchases that exhibit material defects within one year of the original purchase date. In such events, customers may contact us to initiate the claim process. We will need proof of purchase to verify coverage eligibility.

This policy does not extend to products that have been misused, abused, or purposefully damaged. It also does not cover normal wear and tear or cosmetic defects such as minor scratches.

Customers can rest assured knowing that our products undergo rigorous quality testing procedures. This one-year warranty reflects our confidence in the durability of our products under normal use.



If any product defects are found, customers are encouraged to contact us immediately. Your satisfaction is our priority, and we are committed to resolving any issues in a professional and timely manner.