

VIVOSUN

Designed by **VIVOSUN** in California.
Made in China



COMPOST BIN - 43 GALLON

USER MANUAL

Love what you grow™

Welcome to **VIVOSUN**

Thank you for choosing VIVOSUN. We are committed to product quality and friendly customer service. If you have any questions or suggestions, please don't hesitate to contact us.

GENERAL GUIDELINES

- Please read the following instructions carefully and use the product accordingly.
- To ensure a successful return, please retain the original manual and shipping box.
- Please note that this summary may not encompass every detail or all potential variations and the corresponding steps needed to achieve them. For additional information and assistance, feel free to reach out to us.

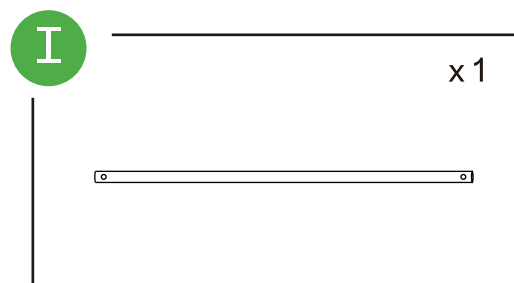
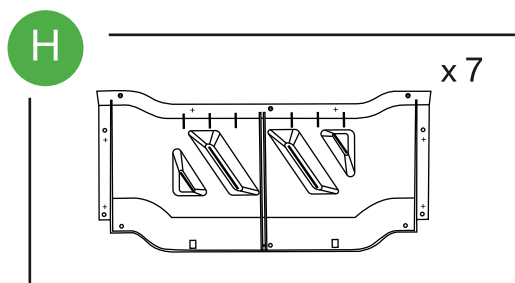
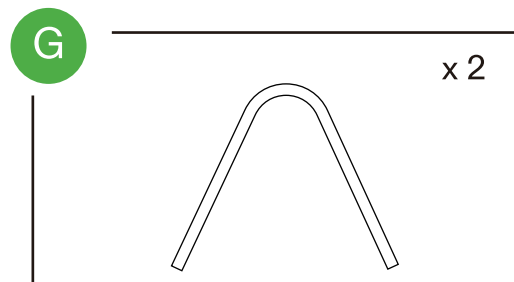
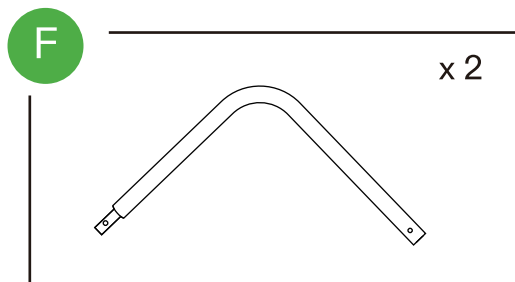
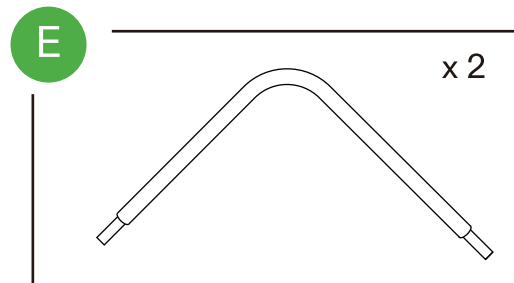
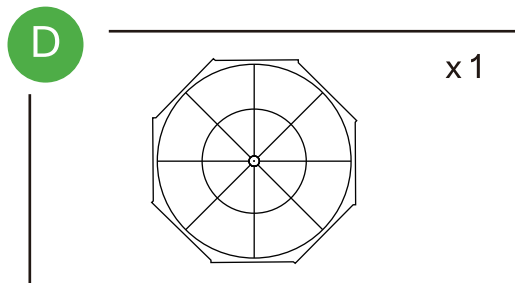
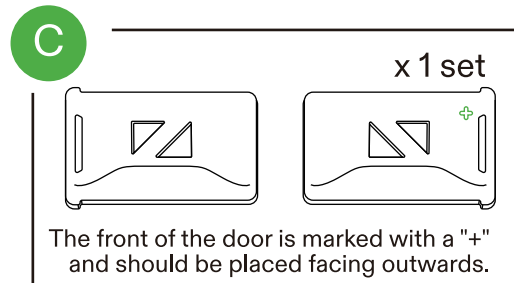
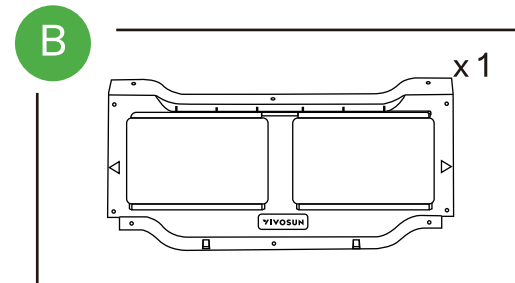
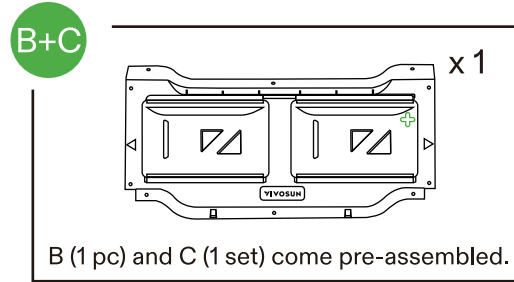
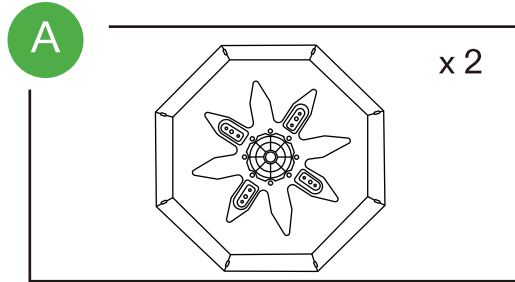
NOTE

- The product must be assembled and used in accordance with the instructions in this manual.
- Avoid long-term exposure to humid environments to prevent mold growth.
- Keep the product away from fire and high temperatures. Do not expose the product to direct sunlight.
- Do not place any hot objects on the surface of the product.
- If you notice any defective or missing parts upon unpacking, please pause assembly and contact us promptly.
- Please assemble the item on a spacious surface and do not place the unwrapped product directly on the ground to avoid product damage.
- Please do not stand or sit on the wooden boards.
- Please keep the product away from sharp, pointed objects and corrosive substances to prevent product damage.

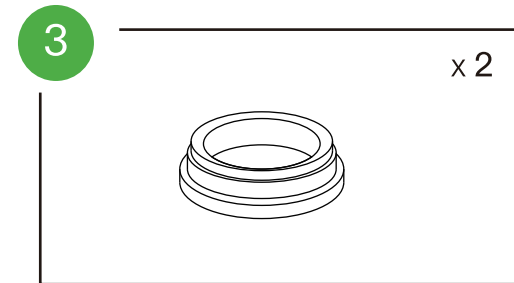
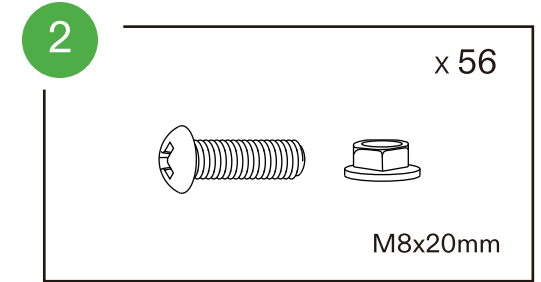
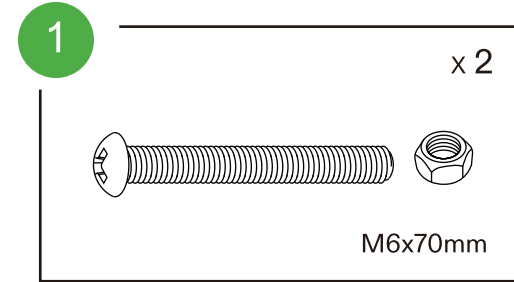
WARNINGS

- Do not allow children to participate in the assembly of the product. Throughout the assembly process, keep all small parts out of the reach of children, as they could pose a fatal risk if swallowed or inhaled.
- Please ensure that children do not climb on or play with the product to prevent the risk of serious injury due to potential falls.

PARTS LIST

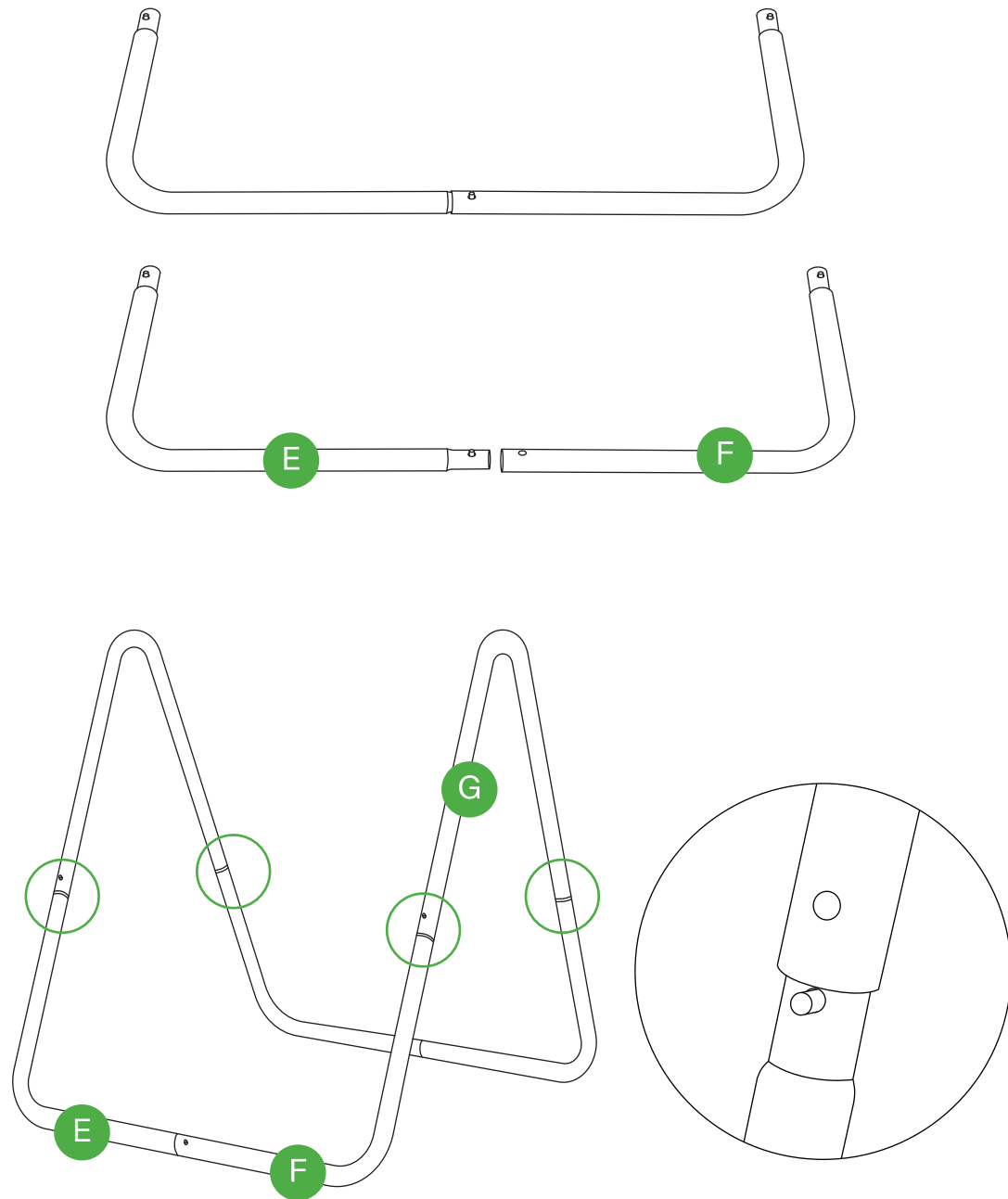


PARTS LIST



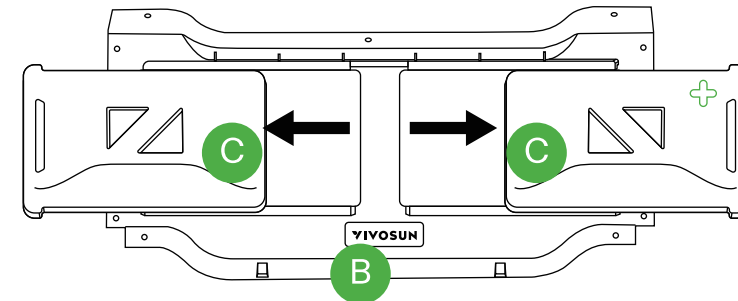
PRODUCT ASSEMBLY

STEP 1 Connect E (2 pcs) to F (2 pcs) first, then connect G (2 pcs), E (2 pcs) and F (2 pcs) to form a base as shown below.

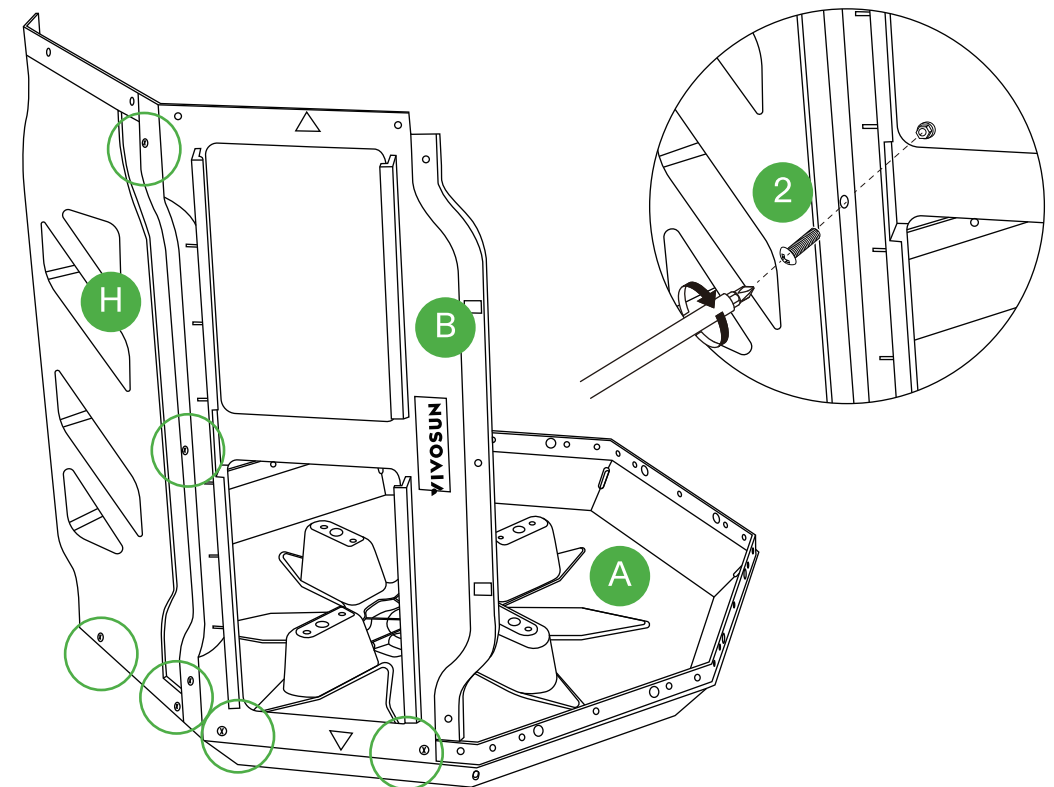


PRODUCT ASSEMBLY

STEP 2 Connect B (1 pc) to A first and tighten with screw #2 (2 pcs), then attach H (1 pc) and tighten with screw #2 (5 pcs).

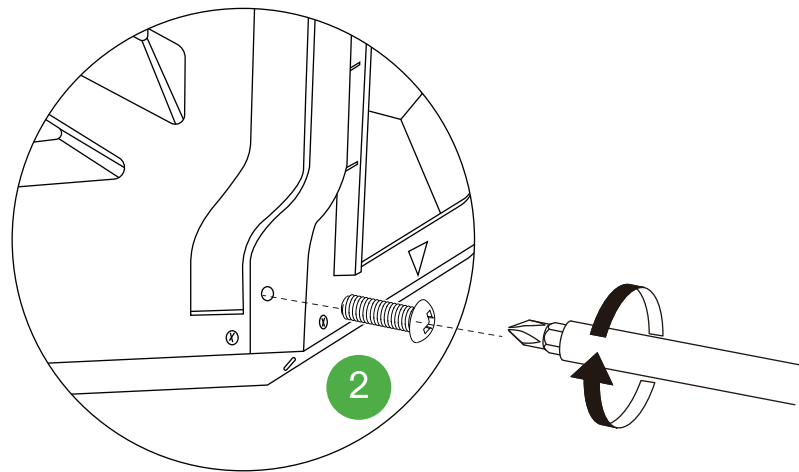
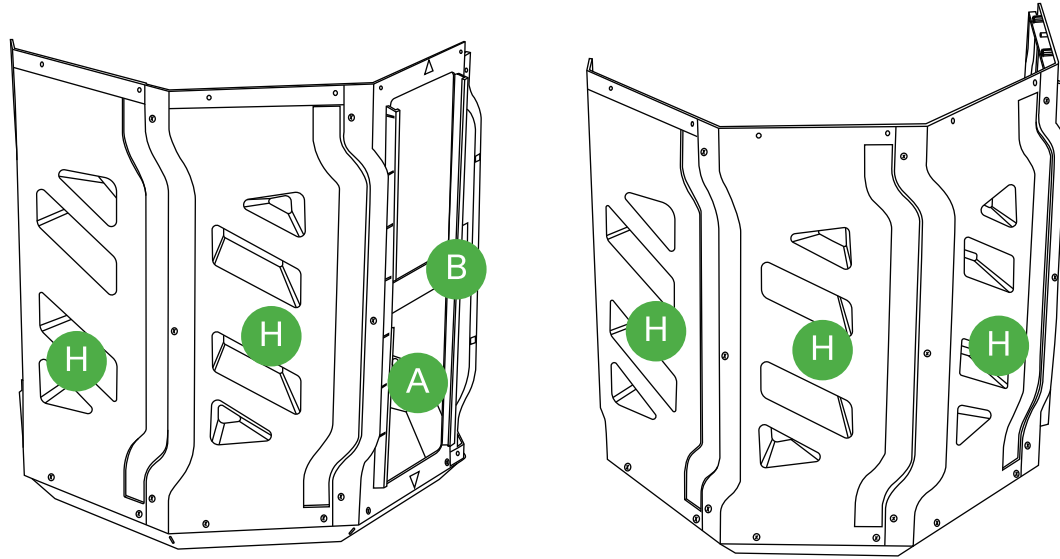


Before setting up, please separate part B from the two small doors (C x 2) for easier assembly.



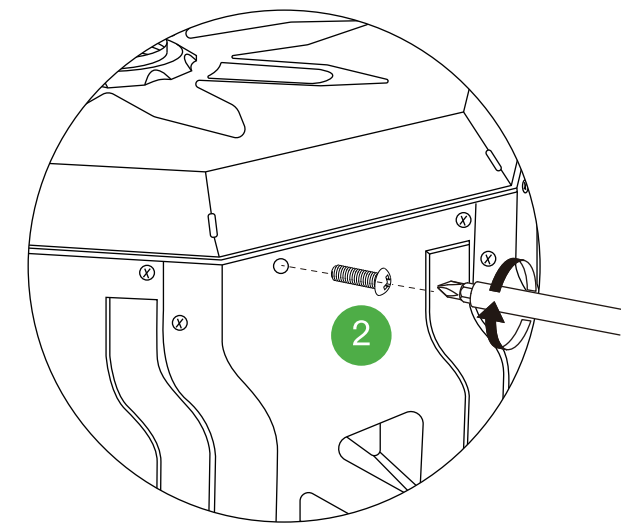
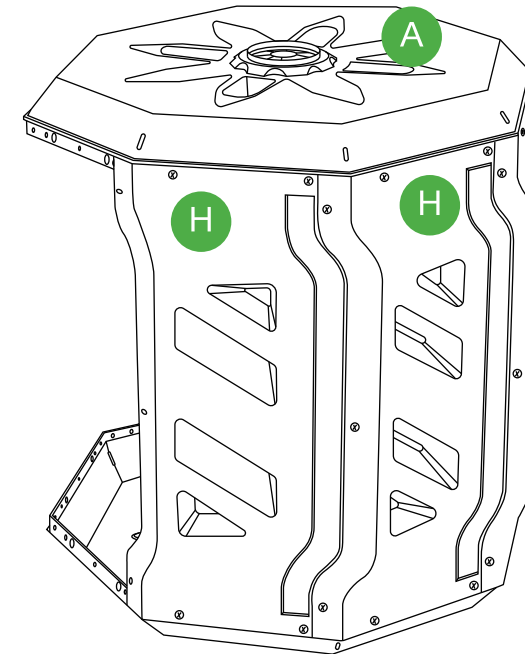
PRODUCT ASSEMBLY

STEP 3 Connect H (2 pcs) in turn counterclockwise, and install screw #2 (10 pcs) to tighten.



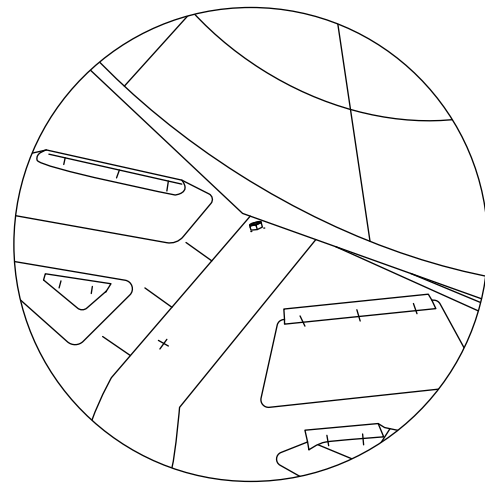
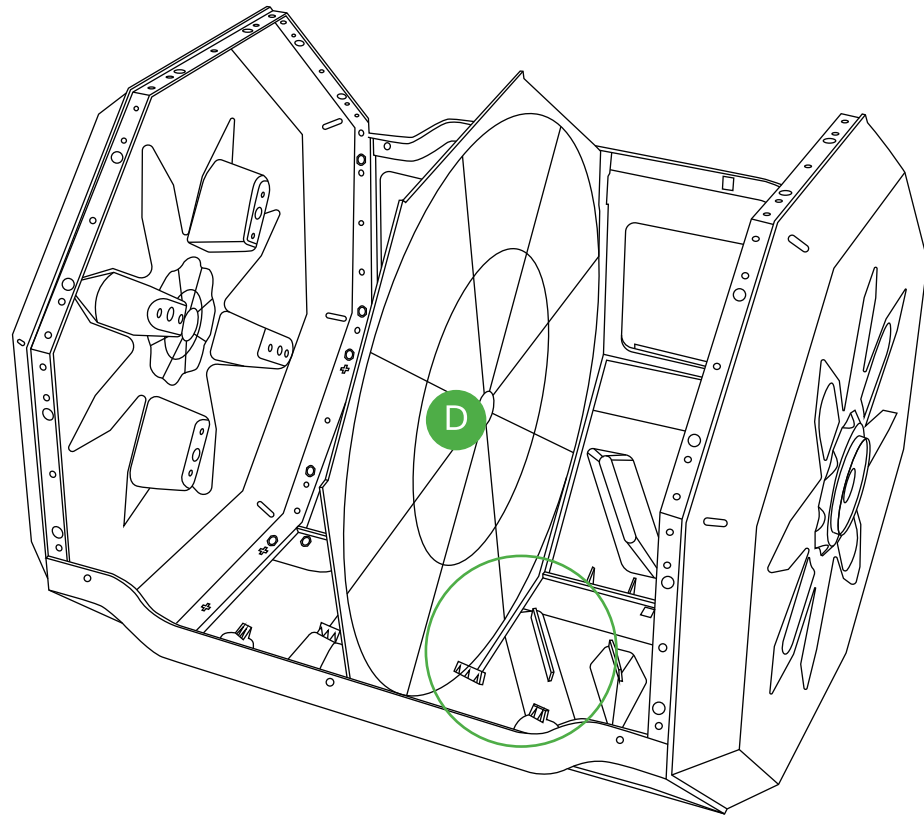
PRODUCT ASSEMBLY

STEP 4 Connect A (1 pc) with H (3 pcs) and B (1 pc), and install screw #2 (8 pcs) to tighten.



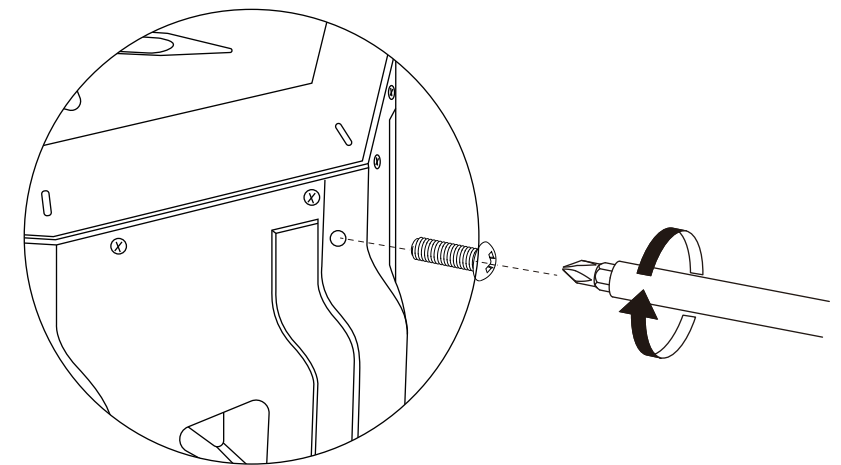
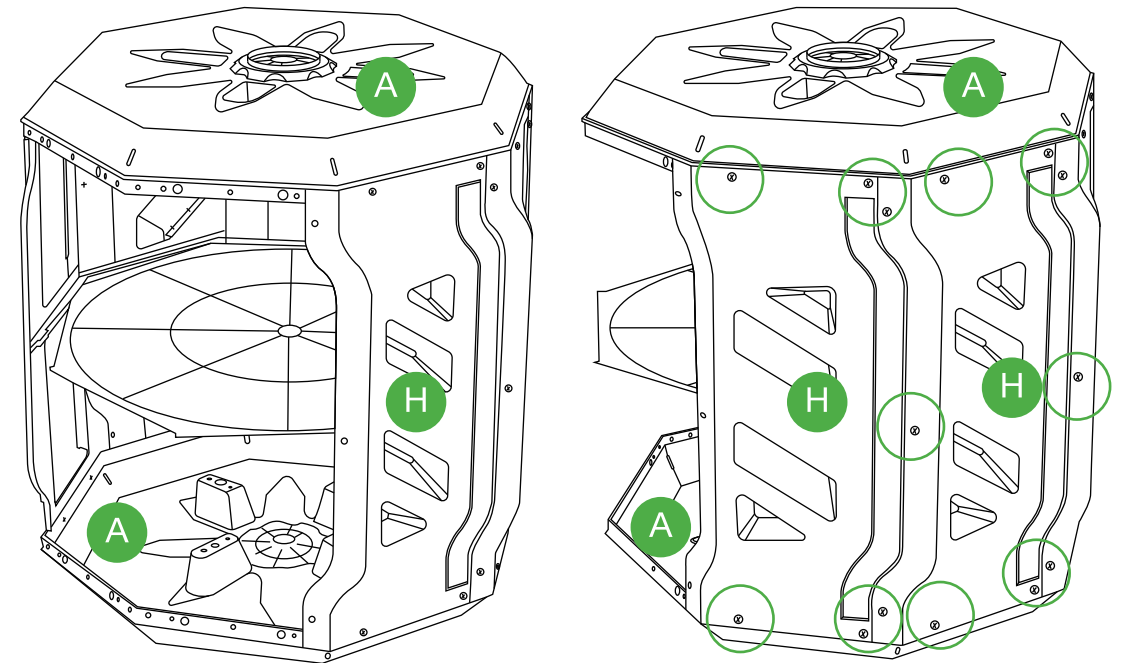
PRODUCT ASSEMBLY

STEP 5 Lay the product horizontally and add D (1 pc).



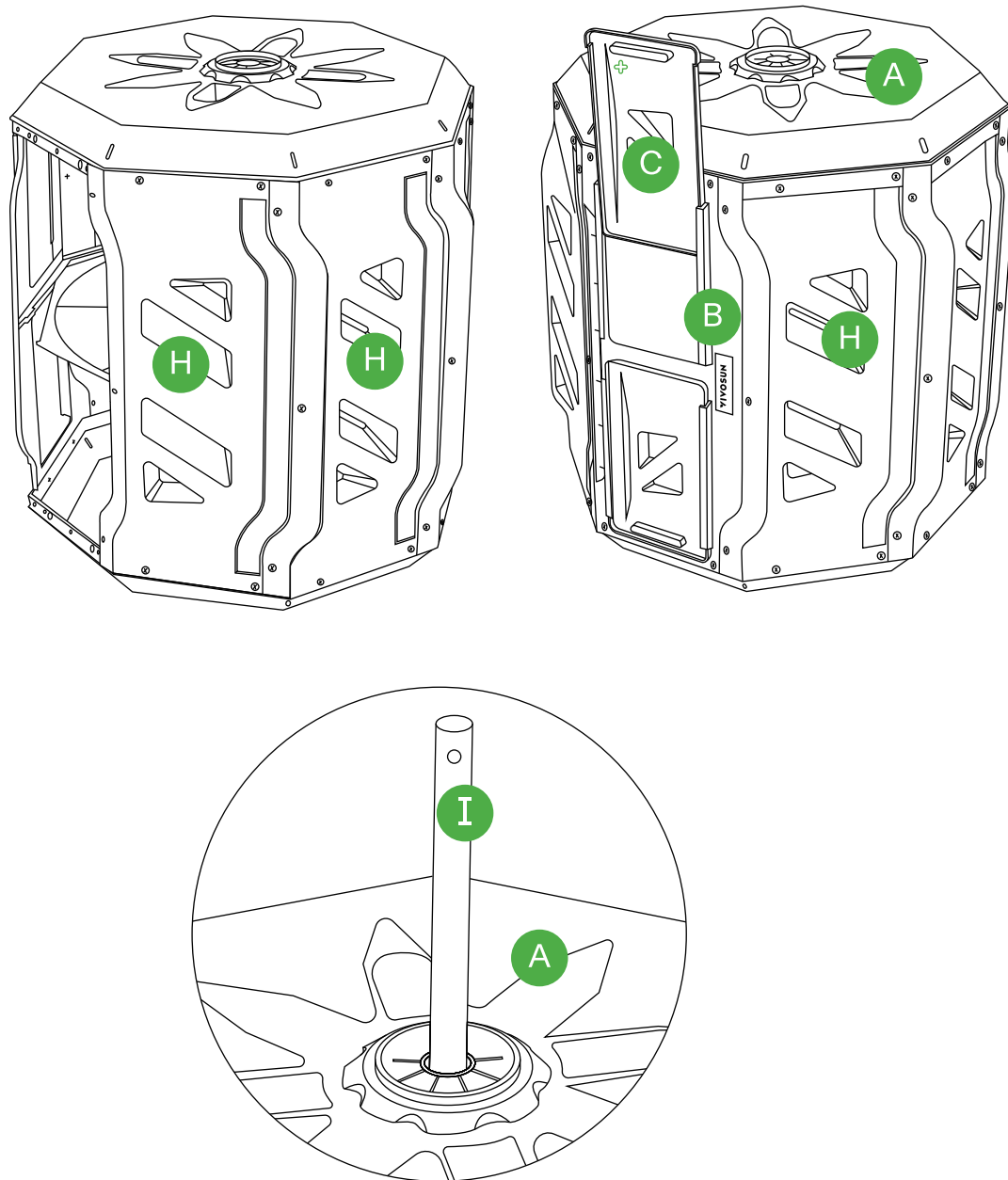
PRODUCT ASSEMBLY

STEP 6 Place the product vertically, and continue to install H (2 pcs), and mount with screw #2 (14 pcs) to tighten.



PRODUCT ASSEMBLY

STEP 7 Connect H (2 pcs) to A (2 pcs) in turn, then connect to C (2 pcs) to form a compost bin, and finally insert I into the compost bin.



PRODUCT ASSEMBLY

STEP 8 Install the compost bin on the base bracket and tighten with screw #1 (2 pcs), and finally install part #3 (2 pcs).

