

VIVOSUN



AeroWave E Series USER MANUAL

Love what you grow™

Welcome to **VIVOSUN**

At Vivosun, quality craftsmanship and innovation are at the core of every product we create. Should you require further support or wish to share any suggestions, please don't hesitate to contact us.

PRODUCTS INCLUDED IN THIS MANUAL:

Product	SKU
AeroWave E6 Black	VSF-AWE6
AeroWave E6 White	VSF-AWE6W
AeroWave E6 Gen2 Black	VSF-AWE6-G2
AeroWave E6 Gen2 White	VSF-AWE6W-G2
AeroWave E9 Black	VSF-AWE9
AeroWave E9 White	VSF-AWE9W

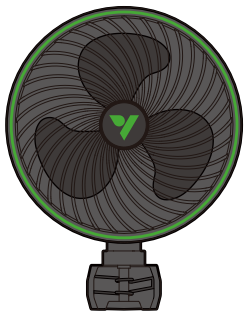
CONTENTS

Key Features	1
Product Contents	2
Specifications	3
Product Anatomy	5
Installation	6
Local Operation	8
Smart Grow System	11
Controller Setup	12
Controller Connection.....	16
Maintenance	18
Complete Your Setup	19
Warranty	21
Warning	22

KEY FEATURES

DUAL BALL BEARING EC MOTOR

Equipped with a highly reliable, efficient, and advanced EC motor.

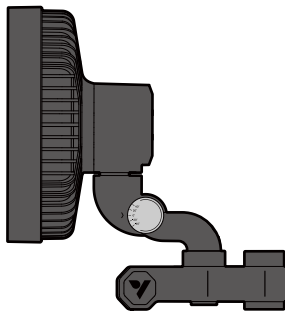


VIVOSUN SGS COMPATIBLE

Compatible with VIVOSUN Smart Grow System for precise, remote, and smart control.

EXTERNAL POWER SUPPLY

The low-voltage external power adapter ensures safe operation while minimizing fan weight and heat generation.



PWM SMART CONTROL

PWM tuning enables precise fan speed control at each level and features a natural wind mode.

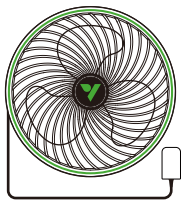
PATENTED SQUARE CLIP

Specialized square clip allows this fan to mount to any shape of pole without the risk of slipping.

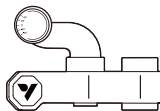
SLIM BASE

Features a minimized base design that is highly efficient and maximizes airflow.

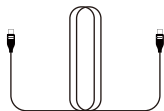
PRODUCT CONTENTS



Fan
x 1pc



Clip
x 1pc



Type-C Extension cable
x 1pc



Cable Tie
x 3pcs



Wire Tie
x 1pc

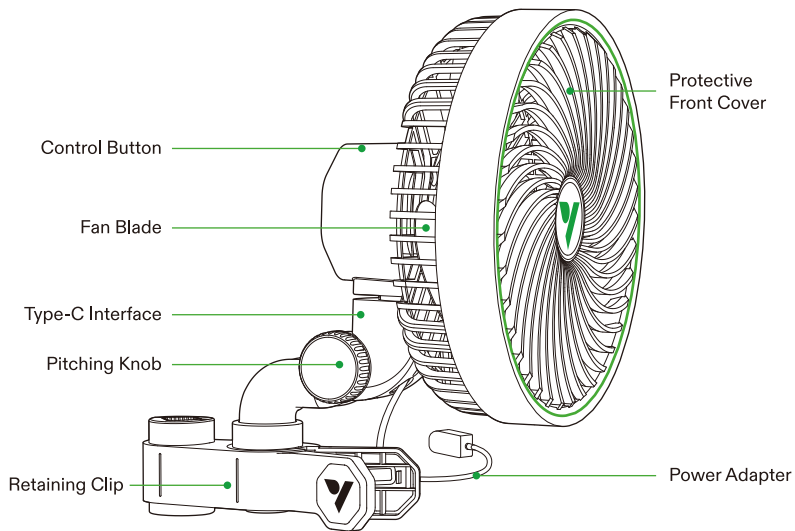
SPECIFICATIONS

	VSF-AWE6	VSF-AWE6-G2	VSF-AWE9
Diameter	6 in. / 152 mm	6 in. / 152 mm	9 in. / 228 mm
Color	White/Black	White/Black	White/Black
Engine	EC-motor	EC-motor	EC-motor
Number of Auto Oscillation	1	5	1
Number of Speed Settings	5	5	5
Number of Speed Natural Breeze	1	5	1
Timer	N	Y	N
Horizontal Oscillation	90°(±45°)	90°(±45°)	90°(±45°)
Vertical Angle Adjustment Range	80°	80°	80°

SPECIFICATIONS

	VSF-AWE6	VSF-AWE6-G2	VSF-AWE9
Airflow	320 CFM	320 CFM	580 CFM
Noise Level	33 dB(A)	33 dB(A)	36 dB(A)
Power Usage	12W	12W	18W
Power Drive	12V/1.0A	12V/1.0A	12V/1.5A
Input	100-240V AC 50/60Hz	100-240V AC 50/60Hz	100-240V AC 50/60Hz
Waterproof Rating	IP54	IP54	IP54
Operating Temperature	32-140°F / 0-60°C	32-140°F / 0-60°C	32-140°F / 0-60°C
Power Cord Length	100 in. / 254 cm	100 in. / 254 cm	100 in. / 254 cm

PRODUCT ANATOMY

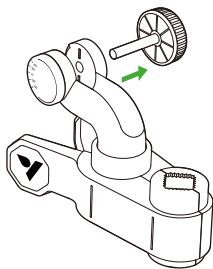


INSTALLATION

STEP 1

Rotate the knob counter-clockwise until it detaches from the grip clip.

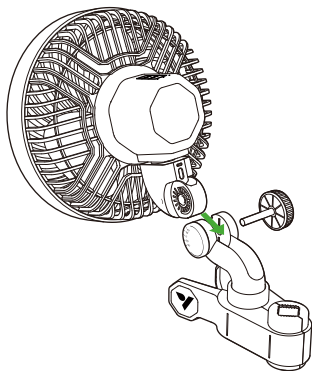
Pull the smaller button piece away from the grip.



STEP 2

Slide the fan's attachment piece into the body of the swivel clip. Ensure that the fan is securely attached by opening the swivel clip around the fan.

* Sample Picture- E6 Gen2

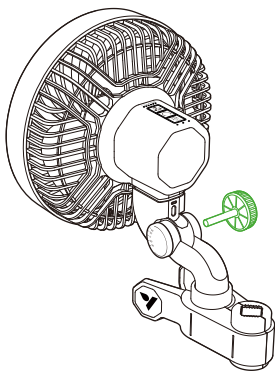


INSTALLATION

STEP 3

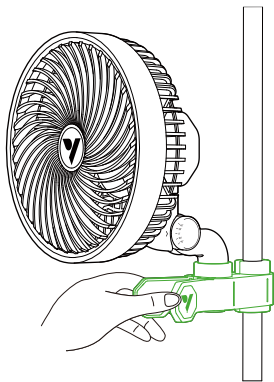
Push the pitching knob through the shaft hole and retighten clockwise.

* Sample Picture- E6 Gen2



STEP 4

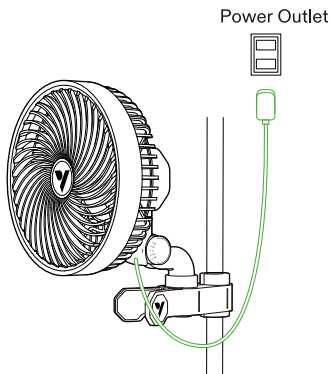
Clip your fan onto your tent pole or another pole and ensure that it is securely attached.



INSTALLATION

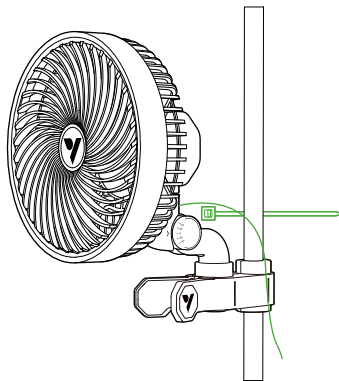
STEP 5

Plug the power adapter into an outlet.



STEP 6

Find a clean and secure surface where you can attach the fan. Once the mounting point is secure, use the included zip tie to bundle the cable and fasten it to the designated location.



LOCAL OPERATION

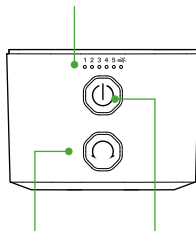
E6/E9 GEN 1 SERIES

ADJUSTING FAN SPEED



- Single press: Turns on the fan and cycles through the speed settings (0-5 levels, Natural Wind mode)
- Indicator light: The green indicator light indicates the current speed level

Fan Speed Indicator



Swivel Button Speed Button

AUTO OSCILLATION



- Single press: ON/OFF
- Indicator light: The white indicator light indicates gear position

Auto oscillation can only be activated/deactivated by the swivel button, and cannot be controlled by external controllers or the VIVOSUN app.

Warning: 24-hour oscillation may reduce the lifespan of the clip fan.

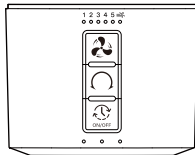
LOCAL OPERATION

E6 GEN 2- SERIES

ADJUSTING FAN SPEED



- Single press: Turns on the fan and cycles through the speed settings (0-5 levels)
- Long press: Mode switching, switches between normal mode and natural wind mode
- Indicator light: The green light shows the current speed setting, and the natural wind indicator light turns on when natural wind mode is activated



AUTO OSCILLATION



- Single press: Turns on oscillation, cycles through oscillation levels (0-5 levels)
- Indicator light: White indicator light indicates current level

CYCLE ON/OFF ADJUSTING



- Single Press: If the device is on, the timer function activates with selectable options. If off, the device turns on
- Example of cycle selection $\overline{55/5}$: 55min fan on/5 min fan off
- Indicator light: Green indicator light indicates the current timer option
- Long Press: Power off and keep the current setting

Warning: 24-hour oscillation may reduce the lifespan of the clip fan.



AeroZesh



AeroLight



AeroStream



AeroWave



E42A



Grow Light



E25



A22



AeroLab



Vivosun GrowHub®

Select one or more GrowHub controllers to connect your devices.



Connect & Control other brand devices using GrowHub



ON/OFF control on general devices

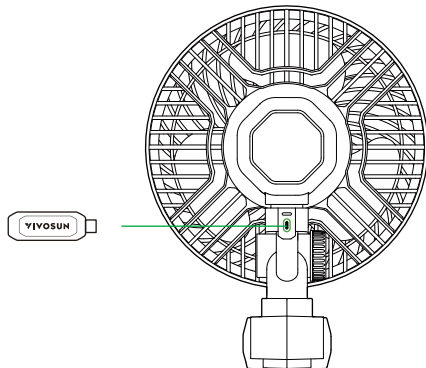
CONTROLLER SETUP

GROWHUB CONTROLLER E25

Insert the Cable: Plug the E25 cable into the Type-C port on your AeroWave. The device will automatically enter Wi-Fi configuration mode. During this process, the green LED on the AeroWave will flash rapidly.

Mobile App Setup: Open the VIVOSUN app on your smartphone or tablet and follow the on-screen instructions to complete the Wi-Fi configuration and connect to your AeroWave.

NOTE: To ensure compatibility with AeroWave E6 G2, please update your VIVOSUN app to latest version.



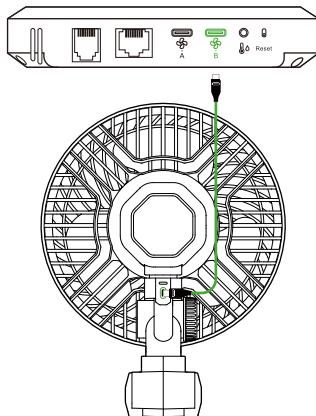
CONTROLLER SETUP

GROWHUB CONTROLLER E42/E42A

Connect the Type-C extension cord into the Type-C port on your AeroWave. Then plug the other end into Port B on the GrowHub E42/E42A controller.

Mobile App Setup: Open the VIVOSUN app on your smartphone or tablet and follow the on-screen instructions to complete the Wi-Fi configuration and connect to your AeroWave.

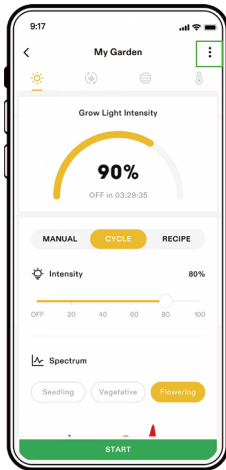
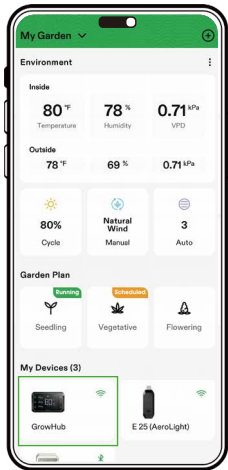
NOTE: AeroWave E functionality is limited to Port B on the GrowHub controller.



CONTROLLER SETUP

STEP 1

In the VIVOSUN APP, select your GrowHub E42/E42A and enter settings by tapping the top right button.:

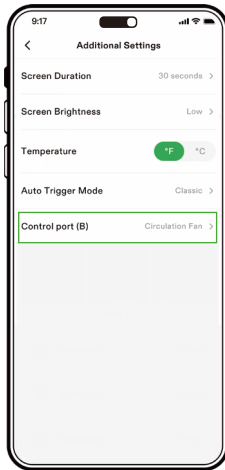
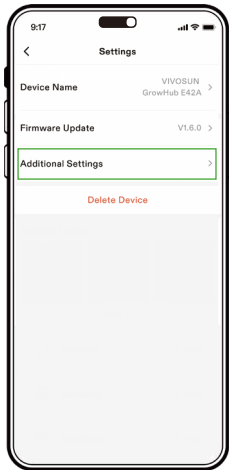


CONTROLLER SETUP

STEP 2



Click "Additional Settings" to view Control Port B settings.

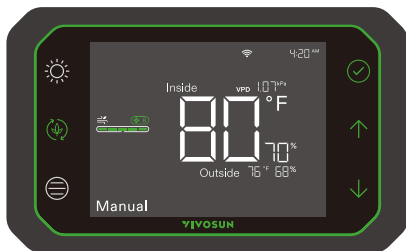
Set Control port (B) to Circulation fan. Now you can control AeroWave through GrowHub E42/E42A and the VIVOSUN app.



CONTROLLERS CONNECTION

SET LOCALLY ON E42A

You can also set AeroWave E locally on E42A. Long press  to switch port B to the circulation fan control and the  icon will display. Now you can control AeroWave E locally.



Note: AeroWave fan indicators will turn off after AeroWave is successfully connected to GrowHub controller E25/E42/E42A . Once your AeroWave is connected to the GrowHub controller or the VIVOSUN app, you can control the fan speed through either method:

- GrowHub Controller: Use the controls on your GrowHub controller to adjust the fan speed.
- VIVOSUN App: Open the VIVOSUN app on your smartphone or tablet and adjust the fan speed settings within the app.

CONTROLLERS CONNECTION

E6 GEN2 SERIES

Control	Fan Speed	Natural Wind Settings	Oscillation Settings	Cycle
Local	5 Levels	5 Levels	5 Levels	√
E25/APP	10 Levels	10 Levels	5 Levels	√
E42A	5 Levels	ON/OFF	---	√

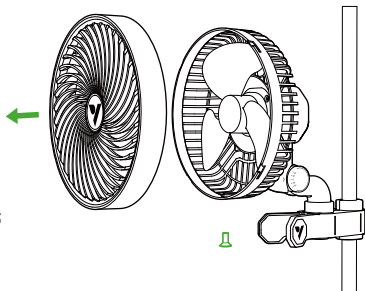
MAINTENANCE

Always unplug the power adapter from the outlet before cleaning the fan. Never clean the fan while it is running.

Step 1

Disassemble the fan as follows before you clean the device:

1. Loosen the fastening screws at the bottom of the front cover by turning them counterclockwise with a screwdriver.
2. Rotate the front cover by turning it counterclockwise;
3. Gently pull the front cover off the body.



Step 2

Clean any oil, dust, and grime by wiping the blades and parts down with a soft, wet cloth and then wipe it with a dry cloth. Do not use gasoline or other plastic/paint-corrosive solvents. Do not bend or press the device too hard while cleaning, as this could damage the blades.

Step 3

Follow Step 1 in reverse to reassemble the fan.

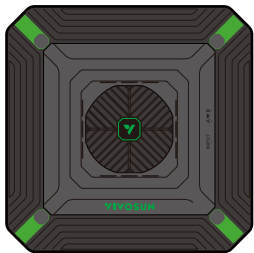
COMPLETE YOUR SETUP



CONTROLLER

GrowHub E42 & E25 & E42A

- WiFi remote control with VIVOSUN App
- Complete control of lights, inline fans and circulation fans
- Temp./Humidity monitoring and control
- Compatible with VIVOSUN devices such as AeroLight, AeroZesh, VS series lights
- Professional controller designed for growers of all levels

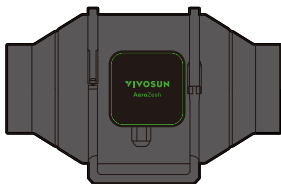


LED GROW LIGHT

AeroLight / VS / VSX / VSF

- 100W-645W high-powered LED grow light
- High PPE efficacy with Samsung LED
- Full spectrum included FR / UV
- 0-100% dimming with daisy-chain capability
- ETL / CE / FCC certified
- Compatible with GrowHub controller

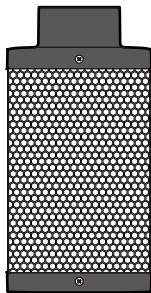
COMPLETE YOUR SETUP



INLINE DUCT FAN

AeroZesh

- Efficient airflow with high static pressure
- 4" / 6" / 8" for different sized tents
- Energy efficient and quiet EC motor
- Dual ball bearings with long lifespan
- Precise fan speed adjustment by PWM
- Compatible with GrowHub controller for multiple professional operation modes



CARBON FILTER

- Eliminates odors and refreshes air
- Premium-grade Australian charcoal
- High absorption efficiency and long lifespan
- 4" / 6" / 8" compatible with different inline fans

WARRANTY

VIVOSUN provides a 2-year warranty against defects on all AeroWave E Series products purchased directly from us or through our authorized dealers. This policy serves as our commitment to promptly address any manufacturing defects or premature breakage that may occur during normal use of our products.

Our warranty covers the replacement or refund of purchases that exhibit material defects within two year of the original purchase date. In such events, customers may contact us to initiate the claim process. We will need proof of purchase to verify coverage eligibility.

This policy does not extend to products that have been misused, abused, or purposefully damaged. It also does not cover normal wear and tear or cosmetic defects such as minor scratches.

Customers can rest assured knowing that our products undergo rigorous quality testing procedures. This two-year warranty reflects our confidence in the durability of our products under normal use.

If any product defects are found, customers are encouraged to contact us immediately. Your satisfaction is our priority, and we are committed to resolving any issues in a professional and timely manner.

WARNING

- The appliance can be used by children aged from 8 years and above and persons with reduced physical, sensory or mental capabilities or lack of experience and knowledge if they have been given supervision or instruction concerning use of the appliance in a safe way and understand the hazards involved.
- Children shall not play with the appliance.
- Cleaning and user maintenance shall not be made by children without supervision.
- Keep the appliance and its cord out of reach of children less than 8 years.
- After assembly, do not remove the guards during use or cleaning.
- If the supply cord is damaged, it must be replaced by the manufacturer, its service agent or similarly qualified persons in order to avoid a hazard.
- Do not put your fingers, pens, or other objects into the front cover while the fan is on.
- Never touch the plug or outlet if your hands are wet.
- Don't place the device in the microwave.
- Use only the cable that came with the device. Don't use any third-part USB cables that are not specifically rated for this device.



DO NOT dispose of this product with your regular trash. Electrical appliances contain hazardous materials that can harm the environment if not disposed of properly.

Please contact your local government for information on nearby drop-off centers or recycling programs that accept electronic waste.

AVERTISSEMENT

- L'appareil peut être utilisé par des enfants âgés de 8 ans et plus ainsi que par des personnes ayant des capacités physiques, sensorielles ou mentales réduites ou un manque d'expérience et de connaissances, à condition qu'elles soient surveillées ou aient reçu des instructions concernant l'utilisation de l'appareil de manière sûre et qu'elles comprennent les risques encourus.
- Les enfants ne doivent pas jouer avec l'appareil.
- Le nettoyage et l'entretien ne doivent pas être effectués par des enfants sans surveillance.
- Gardez l'appareil et son câble hors de portée des enfants de moins de 8 ans.
- Après l'assemblage, ne retirez pas les protections pendant l'utilisation ou le nettoyage.
- Si le cordon d'alimentation est endommagé, il doit être remplacé par le fabricant, son agent de service ou une personne qualifiée afin d'éviter tout danger.
- Ne mettez pas vos doigts, stylos ou autres objets dans la grille avant lorsque le ventilateur est en marche.
- Ne touchez jamais la prise ou la fiche si vos mains sont mouillées.
- Ne placez pas l'appareil dans le micro-ondes.
- Utilisez uniquement le câble fourni avec l'appareil. N'utilisez pas de câbles USB tiers qui ne sont pas spécifiquement conçus pour cet appareil.



NE JETEZ PAS CE PRODUIT AVEC VOS DÉCHETS MÉNAGERS RÉGULIERS. Les appareils électriques contiennent des matériaux dangereux qui peuvent nuire à l'environnement s'ils ne sont pas éliminés correctement.

Veuillez contacter votre administration locale pour obtenir des informations sur les centres de dépôt ou les programmes de recyclage à proximité qui acceptent les déchets électroniques.

WARNUNG

- Das Gerät kann von Kindern ab 8 Jahren und von Personen mit eingeschränkten physischen, sensorischen oder geistigen Fähigkeiten oder mangelnder Erfahrung und Kenntnis verwendet werden, sofern sie beaufsichtigt werden oder Anweisungen zum sicheren Gebrauch des Geräts erhalten haben und die damit verbundenen Gefahren verstehen.
- Kinder dürfen nicht mit dem Gerät spielen.
- Reinigung und Wartung dürfen nicht von Kindern ohne Aufsicht durchgeführt werden.
- Halten Sie das Gerät und dessen Kabel außerhalb der Reichweite von Kindern unter 8 Jahren.
- Nach dem Zusammenbau dürfen die Schutzvorrichtungen während des Gebrauchs oder der Reinigung nicht entfernt werden.
- Wenn das Netzkabel beschädigt ist, muss es vom Hersteller, dessen Kundendienst oder einer ähnlich qualifizierten Person ersetzt werden, um Gefahren zu vermeiden.
- Stecken Sie keine Finger, Stifte oder andere Gegenstände in die Vorderabdeckung, während der Ventilator in Betrieb ist.
- Berühren Sie niemals den Stecker oder die Steckdose, wenn Ihre Hände nass sind.
- Stellen Sie das Gerät nicht in die Mikrowelle.
- Verwenden Sie nur das Kabel, das mit dem Gerät geliefert wurde. Verwenden Sie keine USB-Kabel von Drittanbietern, die nicht speziell für dieses Gerät ausgelegt sind.



ENTSORGEN SIE DIESES PRODUKT NICHT MIT IHREM REGULÄREN HAUSHALTSMÜLL.

Elektrische Geräte enthalten gefährliche Materialien, die der Umwelt schaden können, wenn sie nicht ordnungsgemäß entsorgt werden.

Bitte wenden Sie sich an Ihre örtlichen Behörden, um Informationen über nahegelegene Sammelstellen oder Recyclingprogramme für Elektroschrott zu erhalten.

AVVERTENZA

- L'apparecchio può essere utilizzato da bambini di età pari o superiore a 8 anni e da persone con capacità fisiche, sensoriali o mentali ridotte o con mancanza di esperienza e conoscenza, a condizione che siano supervisionati o abbiano ricevuto istruzioni sull'uso sicuro dell'apparecchio e ne comprendano i pericoli.
- I bambini non devono giocare con l'apparecchio.
- La pulizia e la manutenzione dell'utente non devono essere eseguite da bambini senza supervisione.
- Tenere l'apparecchio e il suo cavo fuori dalla portata dei bambini di età inferiore a 8 anni.
- Dopo il montaggio, non rimuovere le protezioni durante l'uso o la pulizia.
- Se il cavo di alimentazione è danneggiato, deve essere sostituito dal produttore, dal suo agente di assistenza o da una persona qualificata per evitare pericoli.
- Non inserire le dita, penne o altri oggetti nella griglia frontale mentre il ventilatore è in funzione.
- Non toccare mai la spina o la presa se le mani sono bagnate.
- Non mettere l'apparecchio nel microonde.
- Utilizzare solo il cavo fornito con l'apparecchio. Non utilizzare cavi USB di terze parti non specificamente progettati per questo apparecchio.



NON SMALTIRE QUESTO PRODOTTO CON I RIFIUTI DOMESTICI REGOLARI. Gli apparecchi elettrici contengono materiali pericolosi che possono danneggiare l'ambiente se non smaltiti correttamente. Si prega di contattare il governo locale per informazioni sui centri di raccolta nelle vicinanze o sui programmi di riciclaggio che accettano rifiuti elettronici.

ADVERTENCIA

- El aparato puede ser utilizado por niños de 8 años o más y por personas con capacidades físicas, sensoriales o mentales reducidas, o con falta de experiencia y conocimiento, siempre que sean supervisados o hayan recibido instrucciones sobre el uso seguro del aparato y comprendan los riesgos involucrados.
- Los niños no deben jugar con el aparato.
- La limpieza y el mantenimiento no deben ser realizados por niños sin supervisión.
- Mantenga el aparato y su cable fuera del alcance de niños menores de 8 años.
- Después del montaje, no retire las protecciones durante el uso o la limpieza.
- Si el cable de alimentación está dañado, debe ser reemplazado por el fabricante, su agente de servicio o una persona calificada para evitar cualquier peligro.
- No introduzca los dedos, bolígrafos u otros objetos en la rejilla frontal mientras el ventilador esté en funcionamiento.
- Nunca toque el enchufe o la toma de corriente si tiene las manos mojadas.
- No coloque el aparato en el microondas.
- Utilice únicamente el cable que vino con el aparato. No utilice cables USB de terceros que no estén específicamente diseñados para este aparato.



NO DESECHE ESTE PRODUCTO CON LA BASURA DOMÉSTICA REGULAR. Los aparatos eléctricos contienen materiales peligrosos que pueden dañar el medio ambiente si no se eliminan correctamente. Póngase en contacto con su gobierno local para obtener información sobre centros de recogida cercanos o programas de reciclaje que acepten desechos electrónicos.

WAARSCHUWING

- Het apparaat kan worden gebruikt door kinderen vanaf 8 jaar en door personen met verminderde fysieke, zintuiglijke of mentale capaciteiten of gebrek aan ervaring en kennis, mits zij toezicht of instructies hebben ontvangen over het veilige gebruik van het apparaat en de bijbehorende risico's begrijpen.
- Kinderen mogen niet met het apparaat spelen.
- Reiniging en onderhoud door de gebruiker mogen niet door kinderen zonder toezicht worden uitgevoerd.
- Houd het apparaat en de kabel buiten het bereik van kinderen jonger dan 8 jaar.
- Verwijder na de montage de beschermkap niet tijdens gebruik of reiniging.
- Als de voedingskabel beschadigd is, moet deze worden vervangen door de fabrikant, de servicemanager of gelijkwaardige personen om gevaar te voorkomen.
- Stop geen vingers, pennen of andere voorwerpen in de voorkap terwijl de ventilator aan staat.
- Raak de stekker of het stopcontact nooit aan als je handen nat zijn.
- Plaats het apparaat niet in de magnetron.
- Gebruik alleen de kabel die bij het apparaat werd geleverd. Gebruik geen USB-kabels van derden die niet specifiek voor dit apparaat zijn gekeurd.



GOOI DIT PRODUCT NIET MET UW REGULIERE AFVAL WEG. Elektrische apparaten bevatten gevaarlijke materialen die het milieu kunnen schaden als ze niet op de juiste manier worden weggegooid. Neem contact op met uw lokale overheid voor informatie over nabijgelegen inleverpunten of recyclingprogramma's die elektronisch afval accepteren.

Designed by **VIVOSUN** in California.
Made in China