

# VIVOSUN



## **Inline Duct Fan**

### **USER MANUAL**

# Love what you grow™

Welcome to **VIVOSUN**

Thank you for choosing VIVOSUN. We are committed to product quality and friendly customer service. If you have any questions or suggestions, please don't hesitate to contact us.

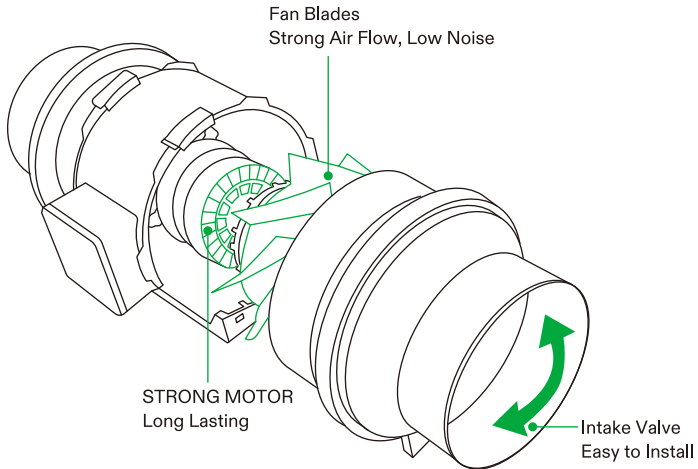
**PRODUCTS INCLUDED IN THIS MANUAL:**

<b>Product</b>	<b>Model</b>	<b>UPC</b>
Inline Ventilation Fan 4"	306201P-4	714119464157
Inline Ventilation Fan 6"	306201P-6	714119464164
Inline Ventilation Fan 8"	306201P-8	714119464171

# CONTENTS

Product Contents .....	1
Technical Parameters .....	2
Package Includes .....	2
Operating Instructions .....	3
Safety Precautions .....	5
Warnings .....	5

# PRODUCT CONTENTS



# TECHNICAL PARAMETERS

Size	Voltage	Frequency	Power	Airflow
4 inch	120V	60Hz	59W	190CFM
6 inch	120V	60Hz	67W	390CFM
8 inch	120V	60Hz	190W	720CFM

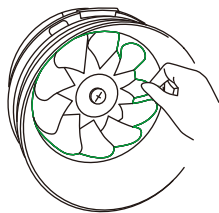
# PACKAGE INCLUDES

- 1 x Inline Fan
- 1 x Mounting Bracket
- 1 x Instructional Manual

# OPERATING INSTRUCTIONS

## STEP 1

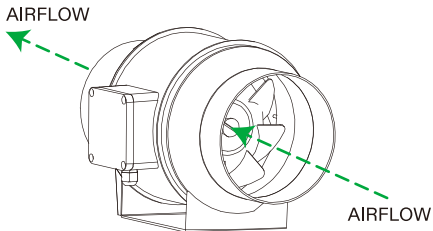
Remove any plastic wrap covering the fan.



REMOVE

## STEP 2

Check the direction of air flow.

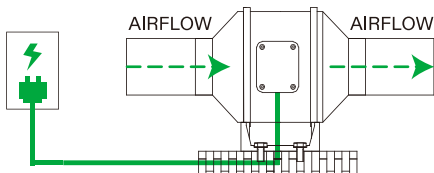


# OPERATING INSTRUCTIONS

## STEP 3

Attach the mounting bracket to the fan.

Plug into the power source.





# SAFETY PRECAUTIONS

1. The max temperature of the operating environment for this fan must not exceed 113°F/45°C.
2. Do not use this fan if it appears to be malfunctioning or damaged. Please contact our company for a replacement unit.
3. Improper use of this fan may cause permanent damage to your equipment and will void the manufacturer's warranty.
4. Keep this fan away from children.

# WARNINGS

This fan should be installed by a qualified professional or under the guidance of a professional. Buyers should have special knowledge of the installation and use of the fan or have consulted a professional in the installation and use of the fan. In no event shall our company or any of our subsidiaries be liable to you for any direct, special, indirect, consequential, incidental damages or any incidental damages of any kind, even if we have been advised of the possibility thereof.

Designed by **VIVOSUN** in California.  
Made in China