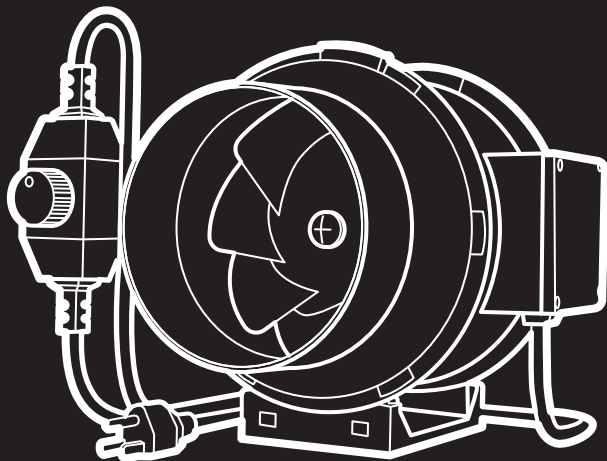


VIVOSUN



INLINE DUCT FAN

WITH VARIABLE SPEED CONTROLLER

DISCLAIMER

Please read the following **instructions** and **safety precautions** carefully before initial use. Failure to observe these safety precautions may result in series injury and will release **VIVOSUN** of all liability and void all product warranties. Keep away from children!

DESIGNED BY **VIVOSUN** IN CALIFORNIA
Made in P.R.C

MANUAL CODE

PRODUCT

MODEL

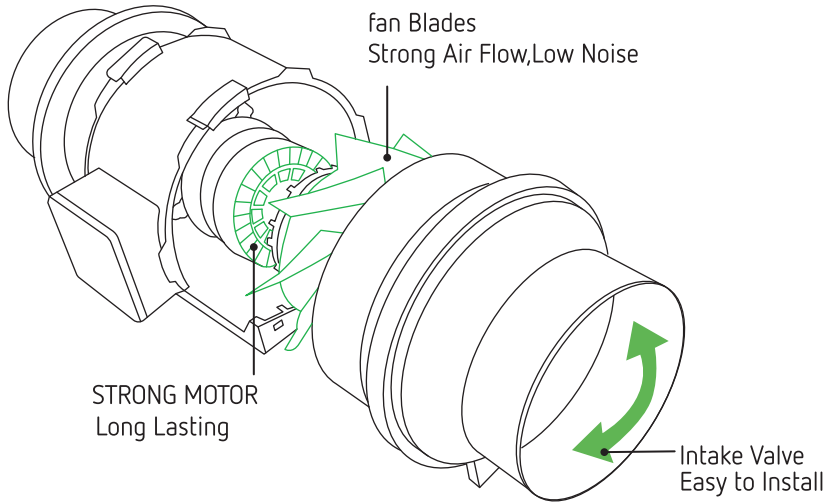
UPC

Inline Ventilation Fan 4	306201P-4	714119464157
Inline Ventilation Fan 6	306201P-6	714119464164
Inline Ventilation Fan 8	306201P-8	714119464171

MANUAL INDEX

Attention To Every Detail	page 4
Package Includes	page 5
Technical Parameters	page 5
Operating Instructions	page 5-6
Safety Precautions	page 7
Warnings	page 7

ATTENTION TO EVERY DETAIL



PACKAGE INCLUDES

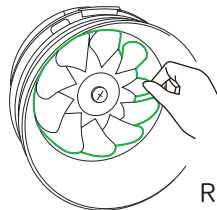
1-Inline Fan 1-Mounting Bracker 1-Instructional Manual

TECHNNICAL PARAMETERS

Size	Voltage	Frequency	Power	Airflow
4 inch	120V	60Hz	59W	190CFM
6 inch	120V	60Hz	67W	390CFM
8 inch	120V	60Hz	190W	720CFM

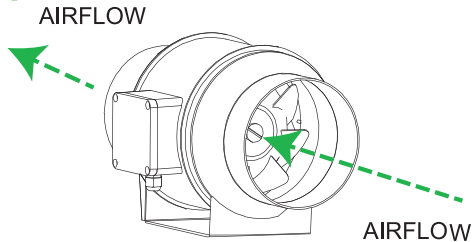
OPERATING INSTRUCTIONS

1.Remove any plastic wrap covering the fan.



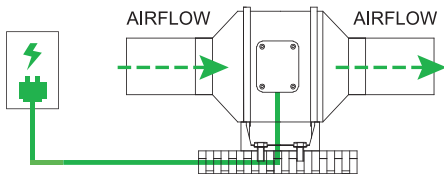
REMOVE

OPERATING INSTRUCTIONS



Check airflow direction indicated.

Attach mounting bracker to fan.



Plug into the power source.

SAFETY PRECAUTIONS

1. Max temperature of the operating environment for this fan must not exceed 113°F/45°C.
2. Do not use this fan if it appears to be malfunctioning or damaged, please contact us for the replacement unit.
3. Improper use of this fan may cause permanent damage to your equipment and void manufacturer warranty.
4. Keep this fan away from children.

WARNINGS

This fan should be installed by a qualified professional or under the guidance of a professional. Buyers should have special knowledge on installation and use of the fan or have consulted a professional on the fan's installation and use. In no event will our company or any of our subsidiaries be liable to you for any direct, special, indirect, consequential, incidental damages or any damages of any kind even if we have been advised of the possibility thereof.

DESIGNED BY **VIVOSUN** IN CALIFORNIA
Made in P.R.C