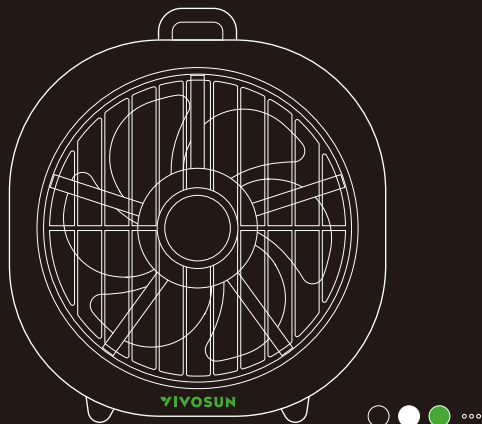


# VIVOSUN



## AeroWave D4 USER MANUAL

# Love what you grow™

Welcome to **VIVOSUN**

Thank you for choosing VIVOSUN. We are committed to product quality and friendly customer service. If you have any questions or suggestions, please don't hesitate to contact us.

# CONTENTS

Safety Information .....	1
Product Contents .....	3
Mask Disassembly Diagram .....	4
Components Description .....	5
Specifications .....	6
Product Functions .....	7
Usage Modes.....	8
Complete Your Setup .....	10
Warranty Information .....	12

# SAFETY INFORMATION



Please read the following information carefully before use. Failure to follow these safety instructions may result in serious injury and will release VIVOSUN of all liability and void all product warranties.

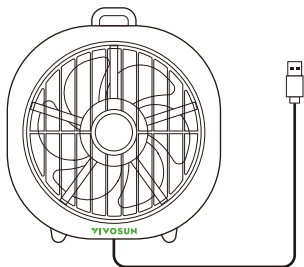
## IMPORTANT SAFETY INFORMATION:

1. Please refer to the description in this manual when using this product. Using this device improperly may cause fire, electric shock, or injury.
2. Do not put the fan in direct reach of children, this product is not intended for children to use without supervision.
3. Turn off the fan when moving it.
4. Make sure the fan is placed in a firm and stable installation position - this will help protect it from falling.
5. Do not put your fingers, pens, or other objects into the front cover while the fan is on.
6. If your hands are wet, do not touch the live parts of the fan.
7. Never touch the plug or outlet if your hands are wet.
8. Do not use or operate the fan without the front cover, as this may result in serious personal injury.

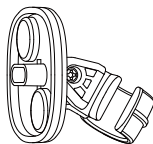
# SAFETY INFORMATION

9. Keep this product away from fabrics such as curtains or tablecloths, as they may be pulled into the fan, potentially causing damage to the device and increasing the risk of fire.
10. Do not place any part of this product near sources of high heat such as stovetops or fireplaces.
11. Do not cover the power cable with anything, including carpets, electrical equipment, or other objects.
12. Do not pass the power cable beneath hot objects or other electrical equipment. Do not place the device in the fire or microwave.
13. For indoor use only. Do not use outdoors. Do not place the fan on or near a window, as rain may create an electrical hazard.
14. Do not immerse or expose the fan, power cord, or adapter to water or other liquids. Do not use the fan near a bathtub, shower, swimming pool, or any location where water could splash.
15. Do not operate any fan with a damaged cord or adapter. Such components must be replaced by the manufacturer, its service agent, or a similarly qualified professional to avoid potential hazards.

# PRODUCT CONTENTS

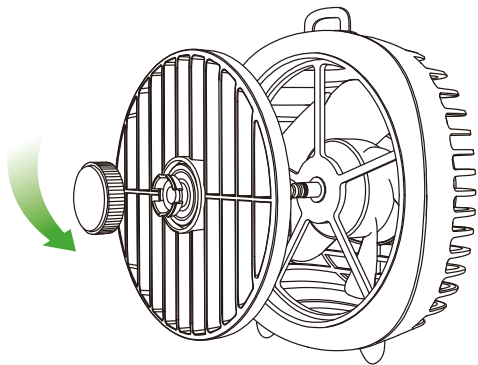


Fan  
x 1pc

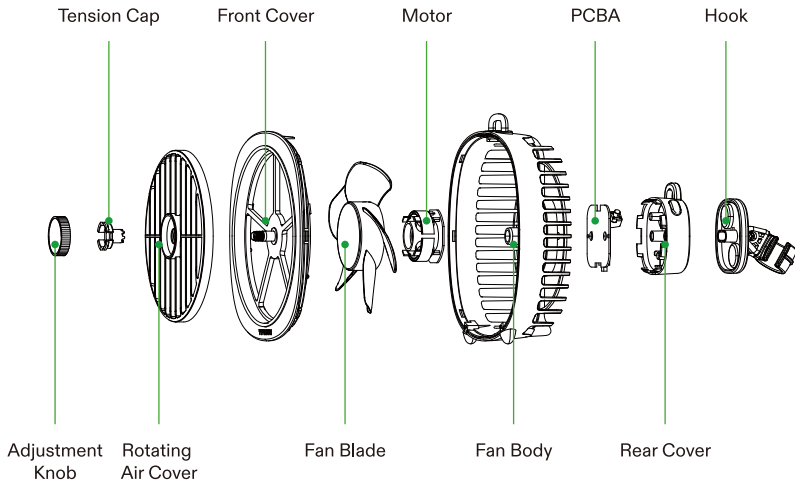


Magnetic Hook  
x 1pc

# MASK DISASSEMBLY DIAGRAM



# COMPONENTS DESCRIPTION





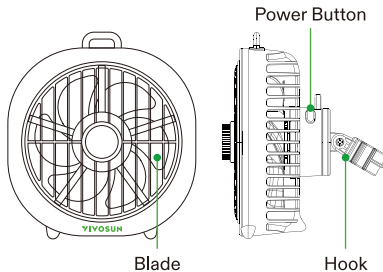
# SPECIFICATIONS

Product Name	AeroWave D4
Product Model	VSF-AWD4/ VSF-AWD4G/VSF-AWD4W
Input Voltage/Current	5V $\equiv$ 1A
Rated Power	4W
Material	ABS+PP
Size	125*57*135mm
Air Flow Capacity	85 Cubic Feet Per Minute
Noise	<35 dB(A)
Fan Speed (Max)	3500 RPM
Bearingsrated	15000 hrs

# PRODUCT FUNCTIONS

## THREE-SPEED CONTROL

To operate, plug in the power supply and press the power button to activate the low-speed gear. Press the switch button again to switch to the second medium-speed gear. Press the open key once more to switch to the third gear. Finally, press the on button again to turn it off.



## MEMORY FUNCTION

This product features a memory function that retains its last gear and wind speed settings when powered off. Upon powering on again, it will default to the settings before shutdown.

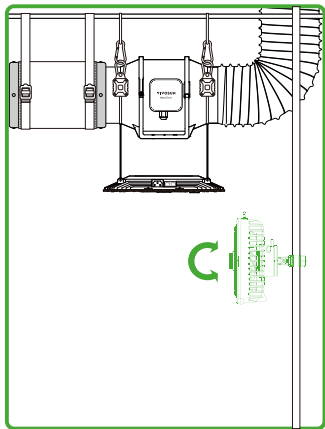
## ROTARY KNOB

Rotate to the right to stop rotating by locking the mask.

# USAGE MODES

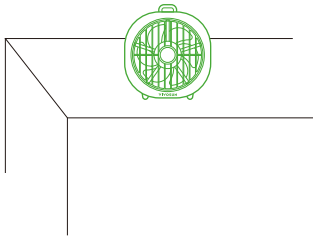
## 1. The hook clasps the pole(16-22mm)

Pull the hook to the main body of the clamp fan, and then hold the product to the pole, plug in the power, press the open key, and adjust the required wind speed.



## 2. Placed on a flat surface

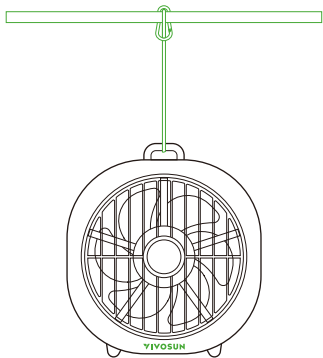
Take out the product and place it in the required position, plug in the power, press the open key, and adjust the required wind speed.



# USAGE MODES

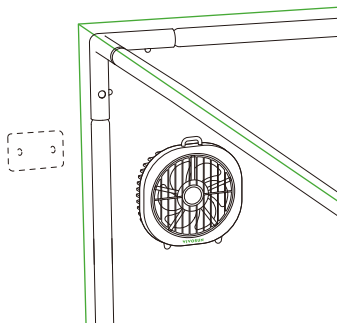
## 3. Hang

Use the top hook, hang to the required position, plug in the power, short press the open key, adjust the required wind speed.



## 4. Magnetic

Confirm the position of the fan, place the clamp outside the tent cloth, fix the fan, plug in the power, press the switch button, and adjust the required wind speed. After fixing the fan, please be careful not to pull the power cord to prevent the fan from falling.



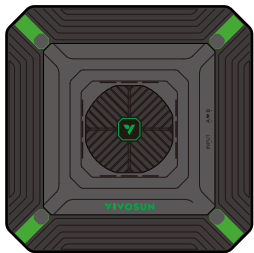
# COMPLETE YOUR SETUP



## CONTROLLER

GrowHub E42 & E25 & E42A

- WiFi remote control with VIVOSUN App
- Complete control of lights, inline fans and circulation fans
- Temp. / Humidity monitoring and control
- Compatible with VIVOSUN devices like AeroLight, AeroZesh, VS series lights



## LED GROW LIGHT

AeroLight / VS / VSX / VSF

- 100W-645W powerful LED grow light
- High PPE efficacy with Samsung LED
- Full spectrum including FR / UV
- 0-100% dimming with daisy-chain capability
- ETL / CE / FCC certified
- Compatible with GrowHub controller

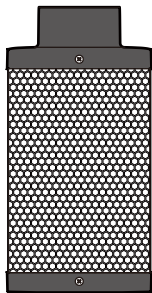
# COMPLETE YOUR SETUP



## INLINE DUCT FAN

AeroZesh

- Efficient airflow with high static pressure
- 4' / 6' / 8' for different tent sizes
- Quiet EC motor and energy saving
- Dual ball bearings with long lifespan
- Precise fan speed adjustment by PWM
- Compatible with GrowHub controller with multiple professional operation modes



## CARBON FILTER

- Eliminate odors and refreshes air
- Premium grade Australian charcoal
- High level of absorption and long lifespan
- 4' / 6' / 8' compatible with different inline fans

# WARRANTY INFORMATION

## WARRANTY TERMS

1. We offer a 1-year warranty against manufacturing defects for all of our products from the date of purchase. If you need warranty assistance, please contact us as soon as possible.
2. The warranty does not cover damage due to high moisture levels, water damage, power surges, improper hanging/mounting, improper use, dust build-up, or users' unauthorized modifications.
3. In the USA, if any AeroWave clip fan ceases working within 30 days of use, you can choose:
  - (A) Exchange: We will email you a pre-paid return label. Please ship the light back to our USA warranty center and a replacement will be sent to you free of charge as soon as we receive the defective product.
  - (B) Refund: We will email you a pre-paid return label. Please ship the product to our USA warranty center and we will issue a refund as soon as the light has been received. Refund periods may depend on the processing time of your bank or institution—usually, a refund takes about 5 business days to be processed.
4. Our company reserves all rights to the final explanation of this warranty structure. If you have any questions about our warranty policy, please contact us.

Designed by **VIVOSUN** in California.  
Made in China