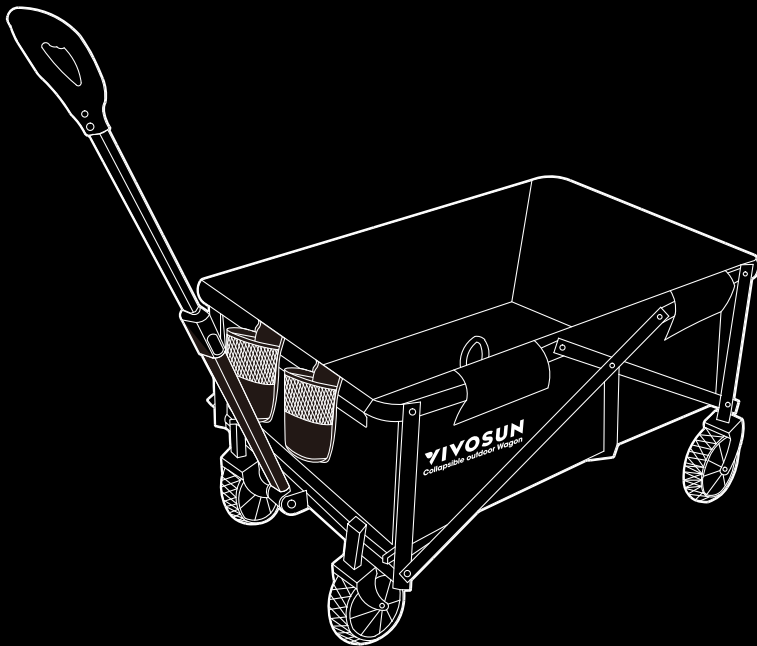


VIVOSUN



Collapsible Wagon

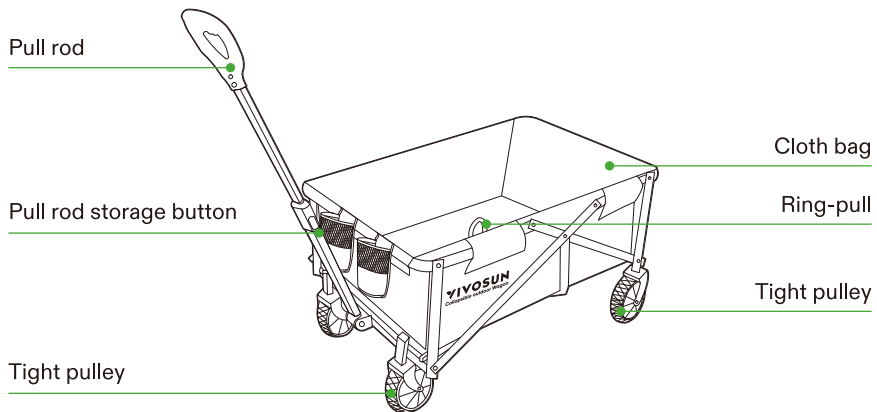
USER MANUAL

Love
what
you
grow™

Welcome to **VIVOSUN**

Thank you for choosing VIVOSUN. We are committed to product quality and friendly customer service. If you have any questions or suggestions, please don't hesitate to contact us.

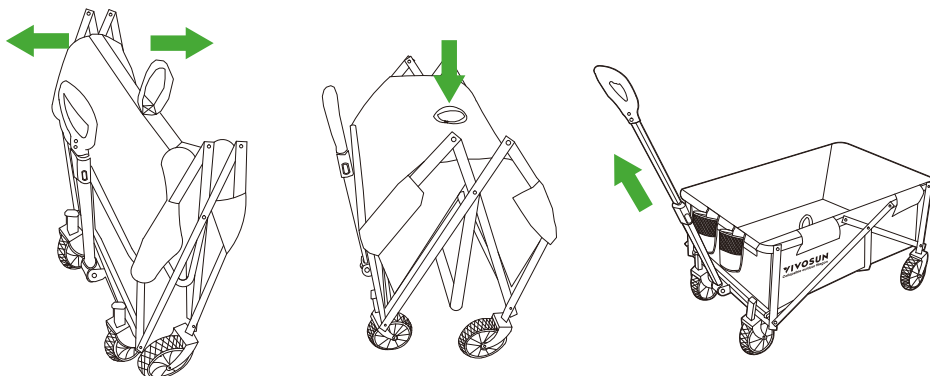
PRODUCT PRESENTATION



PRODUCT USAGE GUIDE

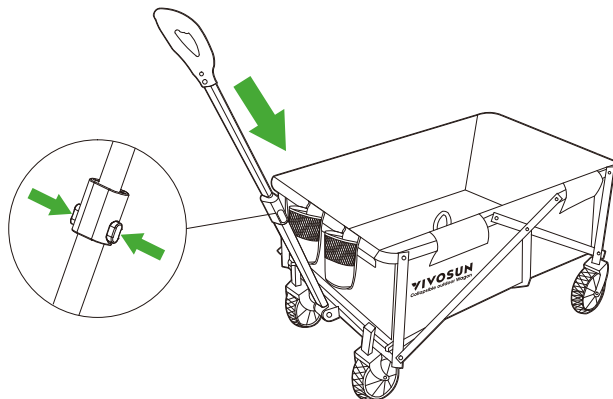
PRODUCT ASSEMBLY

Unfold the body: Place the camp cart on the ground, hold the front and back sides of the frame with both hands, open it outwards, and press the centre of the pocket.

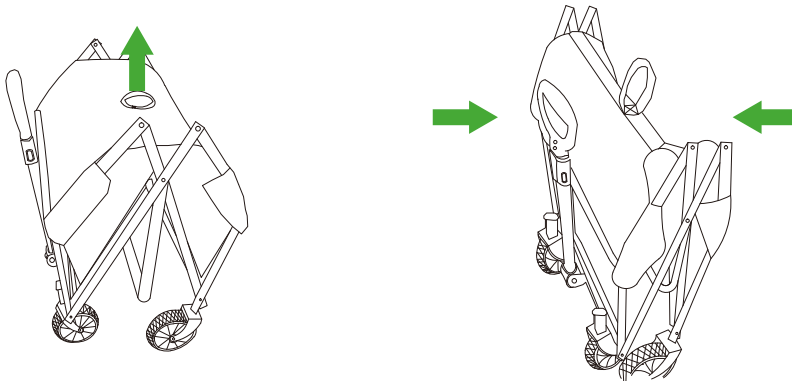


PRODUCT STORAGE

Pull up the tie rod: Hold down the tie rod storage button, while pressing down the tie rod to shrink the upper part of the tie rod



Store the body: Grab the pull ring at the bottom of the car, lift it upwards, the body folds naturally, and then grasp both ends of the body and close it inwards.



MAINTENANCE

1. When cleaning the cloth, please use the water temperature below 30 degrees, do not use bleach.
2. Clean the frame only with a neutral detergent and a damp cloth, do not use bleach.
3. Check your cart regularly and always replace or repair loose parts, falling materials, or seams.
4. Excessive exposure to sunlight can easily lead to ageing or deformation of the cart.
5. If this product is wet or damp, please spread out the cart and drain it, and then reassemble after drying.
6. Use lubricating oil regularly to maintain rotating parts such as wheel bearings and steering bearings.

Designed by **YIVOSUN** in California.

Made in China