

VIVOSUN



AeroWave E6 USER MANUAL

Love what you grow™

Welcome to **VIVOSUN**

Thank you for choosing VIVOSUN. We are committed to product quality and friendly customer service. If you have any questions or suggestions, please don't hesitate to contact us.

CONTENTS

Safety Information	1
Key Features	4
Product Contents	5
Components Description	6
Installation	7
Local Operation	10
Smart Grow System	12
Controllers Connection	13
Cleaning	18
Complete Your Setup	20
Warranty Information	22

SAFETY INFORMATION



Please read the following information carefully before use. Failure to follow these safety instructions may result in serious injury and will release VIVOSUN of all liability and void all product warranties.

IMPORTANT SAFETY INFORMATION:

This fan is designed to be powered by a dedicated power adapter, please do not use any other type of power supply.

1. Please refer to the description in this manual when using this product. Using this device improperly may cause fire, electric shock, or injury.
2. Do not put the fan in direct reach of children, this product is not intended for children to use without supervision.
3. Turn off the fan when moving the fan.
4. Make sure the fan is placed in a firm and stable installation position - this will help protect it from falling.
5. Do not put your fingers, pens, or other objects into the front cover while the fan is on.
6. Make sure to unplug the power adaptor before cleaning the unit.
7. Never touch the plug or outlet if your hands are wet.
8. Do not use or operate the fan without the front cover, this may result in serious personal injury.

SAFETY INFORMATION

9. Keep this product away from fabric like curtains or tablecloth as this may be pulled into the fan, which can damage the device and increase the potential for fire.
10. Do not place any part of this product near sources of high heat such as stovetops or fireplaces.
11. Do not cover power cable with anything - carpets or electrical equipment or other objects. Do not pass the power cable beneath hot objects or other electrical equipment.
12. Make sure the mains voltage and frequency are within the range as indicated on the power adapter before plugging in this device.
13. Do not place the device in the fire or microwave.
14. Indoor use only. Do not use outdoor. Do not place the fan in or near window, rain may create an electrical hazard.
15. Do not immerse or expose the Fan, Power Cord, or Adapter to water or other liquids. Do not use the fan near a bathtub, a shower, a swimming pool, or anywhere water could splash.
16. Do not operate any fan with a damaged cord or adapter. It must be replaced by the manufacturer or its service agent or a similarly qualified person in order to avoid a hazard.
17. **Do not use a type-c cable for your smart controller that is not rated for this equipment; only use the cable included with this device.**

SAFETY INFORMATION

Overcurrent Protection

When there is an abnormal electrical current, this device automatically protects itself with an automatic shutoff protocol. It includes an overcurrent protection component that is installed on the motor's circuit board. When the motor current is too large due to accidents or power surges, the overcurrent protection protocol on the circuit board will start, cutting off the power supply to the motor. This is a security feature that keeps motor from overheating, protecting from deformation or fire.

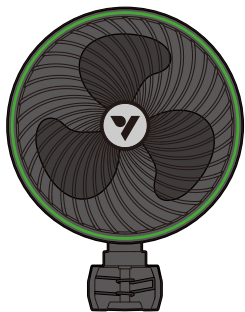
Before you restart the fan, ensure that the problem with the electrical charge is resolved. If there is an issue with the fan, please contact us and we will help with warranty issues.

Warning: DO NOT disassemble the fan or replace any of the components.

KEY FEATURES

DUAL BALL BEARING EC MOTOR

Equipped with reliable, high efficient, and low noise advanced EC motor.



VIVOSUN SGS COMPATIBLE

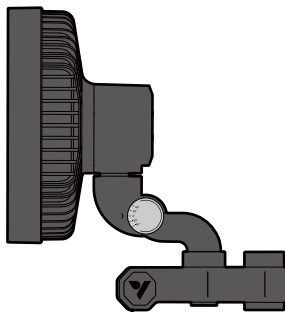
Compatible with VIVOSUN Smart Grow System for precise, remote, and intelligent control

EXTERNAL POWER SUPPLY

External power adapter with safe low voltage input for completely safe use, also enables less fan weight and less heat

PATENTED SQUARE CLIP

Specialized square clip allows this fan to mount to any shape of pole without slipping



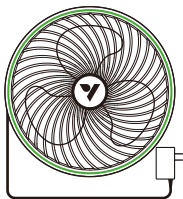
PWM SMART CONTROL

PWM tuning enables precise fan speed control at each level and dedicated natural wind mode.

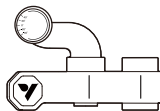
SLIM BASE

Minimized fan base design to allow maximize airflow with high efficiency

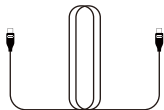
PRODUCT CONTENTS



Fan
x 1pc



Clip
x 1pc



Type-C Extension cable
x 1pc

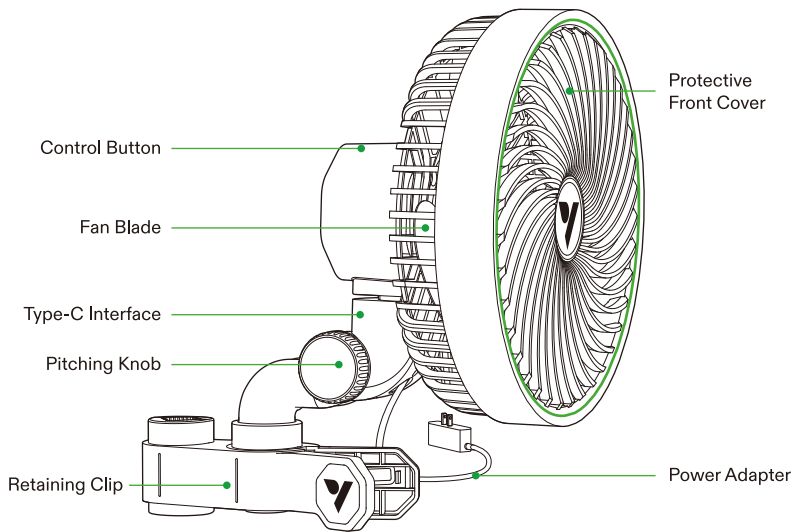


Cable Tie
x 3pcs



Wire Tie
x 1pc

COMPONENTS DESCRIPTION

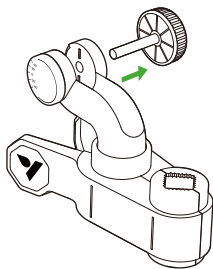


INSTALLATION

STEP 1

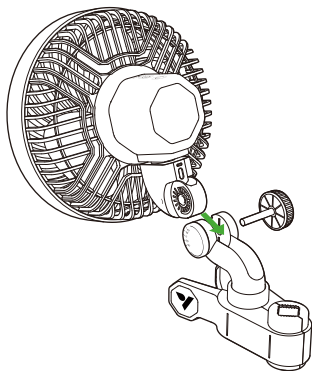
Turn knob counterclockwise to remove it from the grip clip.

Pull the smaller button piece from the grip.



STEP 2

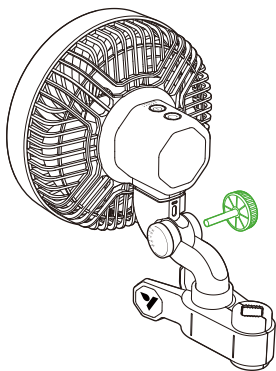
Slide the fan's attachment piece into the body of the swivel clip. Ensure that the fan is securely attached by opening the swivel clip around the fan.



INSTALLATION

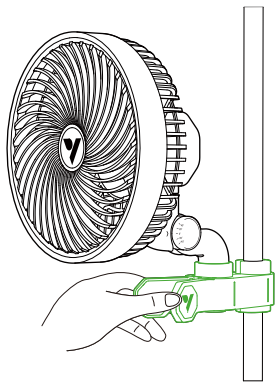
STEP 3

Push the pitching knob through the shaft hole and retighten clockwise.



STEP 4

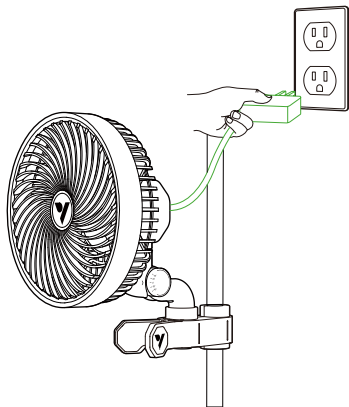
Clip your fan onto your tent pole or another pole and ensure that it is attached securely.



INSTALLATION

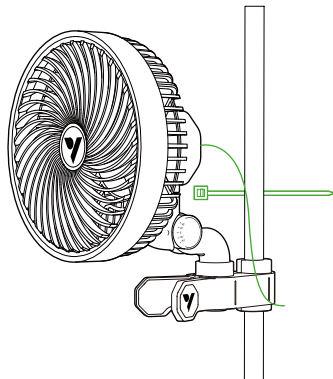
STEP 5

Plug the power adapter into the outlet to power the fan.



STEP 6

Try using the included cable management equipment (zip tie and mounting set) to move your cable out of the way. Ensure the cable is attached to a clean surface and zip tie it securely.



LOCAL OPERATION

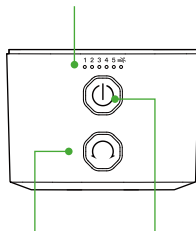
ADJUSTING FAN SPEED

The fan speed button can turn the fan on and control the fan speed between Level 1-2-3-4-5, and the natural wind mode.

After turning on the fan press the speed button to increase the fan speed level by one.

Press the speed button past Auto Mode to turn the fan off.

Fan Speed Indicator

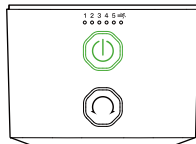


Swivel Button Speed Button

POWERING ON/OFF

Long press the speed button for 4 seconds to turn the fan off.

Press the speed button again can turn the fan on and restore it to the last speed setting before you turned it off.



LOCAL OPERATION

AUTO OSCILLATION

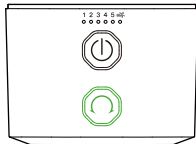
To produce a wide-angle airflow, press the swivel button while the fan is running to start the automatic oscillation. Press the swivel button again to stop oscillation.

Auto oscillation can only be activated/deactivated by the swivel button, and cannot be controlled by external controllers or App.

When oscillation is off, the fan will not oscillate, regardless of smart controller programs.

When oscillation is on, the fan will oscillate during on periods as set by your smart controller. The fan will stop oscillating when the program turns the fan off.

Warning: 24-hour oscillation may reduce the clip fan lifespan.



SMART GROW SYSTEM

The VIVOSUN Smart Grow System is a fully automatic grow system empowering growers by making growing easier and more convenient. The system includes the VIVOSUN GrowHub Controller, the VIVOSUN App, the AeroLight, the VS Grow Light series, the AeroZesh, the AeroWave E6 circulation fan, and a number of forthcoming smart devices. The Vivosun SGS provides automatic equipment and climate control, remote monitoring, personalized recipes, all with an intuitive UI, that helps everyone grow what they love.

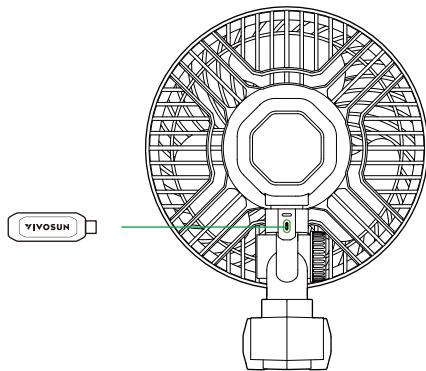


CONTROLLERS CONNECTION

GROWHUB CONTROLLER E25

Insert the E25 cable into the Type-C port of AeroWave. E25 will enter into WiFi configuration. During WiFi configuration, the Green LED will flash quickly. Follow the WiFi configuration process in the VIVOSUN APP to complete installation and select AeroWave to control.

Note: If you want to control AeroWave by GrowHub E25, please update the GrowHub E25 firmware to 1.3.3 or later.

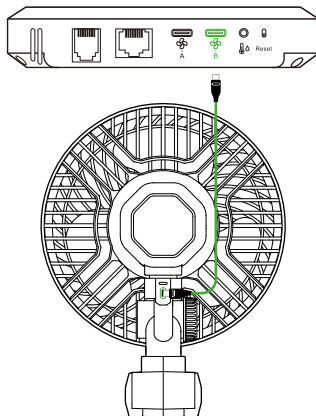


CONTROLLERS CONNECTION

GROWHUB CONTROLLER E42/E42A

Connect the Type-C extension cord to the Type-C port on the AeroWave and the Type-C Port B of GrowHub Controller E42/E42A. Then set the AeroWave E6 on VIVOSUN app as the following steps.

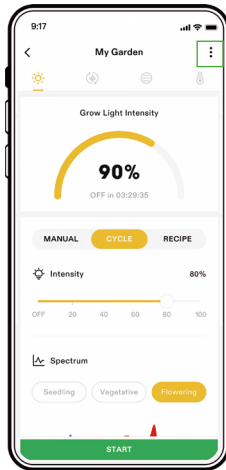
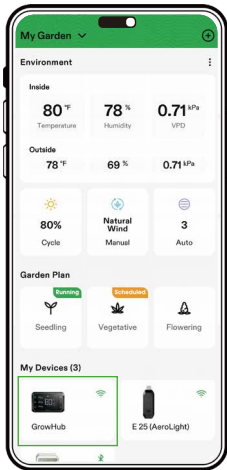
Note: The AeroWave E6 can only be controlled when it is connected to Port B of the controller. If you want to control AeroWave by GrowHub E42/E42A, please update the GrowHub E42 firmware to 2.0.8 or later or update the GrowHub E42A firmware to 1.6.0 or later.



CONTROLLERS CONNECTION

STEP 1

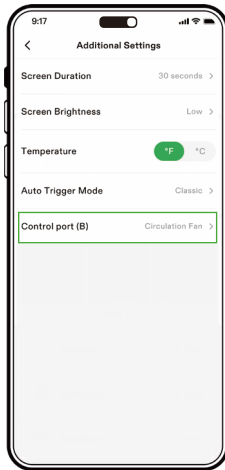
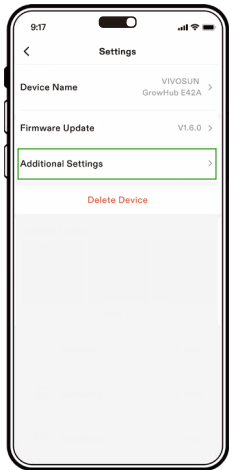
In VIVOSUN APP, click your GrowHub E42/E42A and enter the Settings by the top right button ⋮.



CONTROLLERS CONNECTION



STEP 2

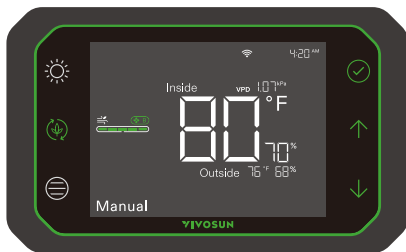
Click Additional Settings and now you can see the Control port (B) setting.
Set Control port (B) to Circulation fan. Now you can control AeroWave through GrowHub E42/E42A and VIVOSUN APP freely.



CONTROLLERS CONNECTION

SET LOCALLY ON E42A

You can also set AeroWave E6 locally on E42A. Long press  to switch port B to the circulation fan control and the  will display. Now you can control AeroWave E6 locally.



Note: AeroWave fan indicators will turn off after AeroWave is connected to GrowHub controller E25/E42/E42A successfully. The fan speed can be only controlled by GrowHub controller E25/E42/E42A or VIVOSUN App once it is connected to GrowHub controller E25/E42/E42A or VIVOSUN APP.

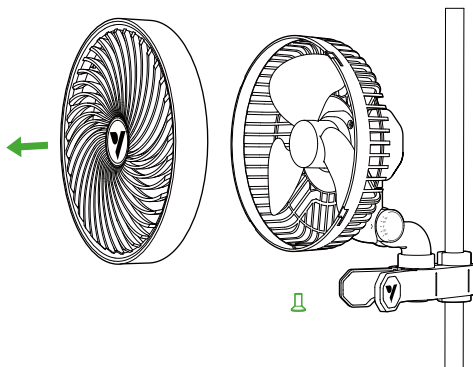
CLEANING

When cleaning the fan, ensure that the product is not running. Unplug the power adapter before cleaning.

Step 1

Disassemble the fan as follows before you clean the device.

1. Loosen the fastening screws at the bottom of the front cover by turning them counterclockwise with a screwdriver.
2. Rotate the front cover by turning it anticlockwise;
3. Gently pull the front cover off the body;



CLEANING

Step 2

Clean any oil, dust, and grime by wiping the blades and parts down with a soft, wet cloth and then wipe it with a dry cloth. Do not use gasoline or other plastic/paint-corrosive solvents. Do not bend or press the device too hard while cleaning as this can damage the blades.

Step 3

Follow Step 1 in reverse to reassemble the fan.

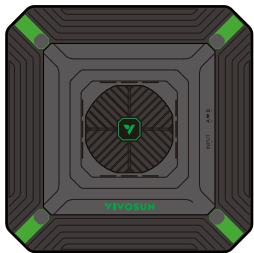
COMPLETE YOUR SETUP



CONTROLLER

GrowHub E42 & E25 & E42A

- WiFi remotely control with VIVOSUN App
- Complete control of lights, inline fans and circulation fans
- Temp. / Humidity monitoring and control
- Compatible with VIVOSUN devices like AeroLight, AeroZesh, VS series lights
- Professional controller designed for growers

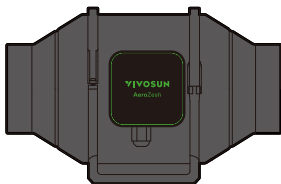


LED GROW LIGHT

AeroLight / VS / VSX / VSF

- 100W-645W powerful LED grow light
- High PPE efficacy with Samsung LED
- Full spectrum included FR / UV
- 0-100% dimming with daisy-chain
- ETL / CE / FCC certificated
- Compatible with GrowHub controller

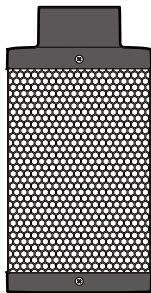
COMPLETE YOUR SETUP



INLINE DUCT FAN

AeroZesh

- Efficient air flow with high static pressure
- 4' / 6' / 8' for different size of tent
- Quiet EC motor and energy saving
- Dual ball bearings with long lifetime
- Precise fan speed adjustment by PWM
- Compatible with GrowHub controller with multiple professional operation modes



CARBON FILTER

- Eliminate odors and refresh air
- Premium grade of Australian charcoal
- High efficiency of absorption and long lifetime
- 4' / 6' / 8' compatible with different inline fans

WARRANTY INFORMATION

WARRANTY TERMS

1. We offer a 2-year warranty against manufacturing defects for all of our products from the date of purchase. If you need warranty assistance, please contact us as soon as possible.
2. The warranty does not cover damage due to high moisture levels, water damage, power surges, improper hanging/mounting, improper use, dust build-up, or users' unauthorized modifications.
3. In the USA, if any AeroWave clip fan ceases working within 30 days of use, you can choose:
 - (A) Exchange: We will email you a pre-paid return label. Please ship the light back to our USA warranty center and a replacement will be sent to you free of charge as soon as we receive the defective product.
 - (B) Refund: We will email you a pre-paid return label. Please ship the product to our USA warranty center and we will issue a refund as soon as the light has been received. Refund periods may depend on the processing time of your bank or institution—usually, a refund takes about 5 business days to be processed.
4. Our company reserves all rights to the final explanation of this warranty structure. If you have any questions about our warranty policy, please contact us.

Designed by **VIVOSUN** in California.
Made in China