

# VIVOSUN

Designed by **VIVOSUN** in California.  
Made in China



**Grow Tent Standard Series**

USER MANUAL

# Love what you grow™

Welcome to **VIVOSUN**

Thank you for choosing VIVOSUN. We are committed to product quality and friendly customer service. If you have any questions or suggestions, please don't hesitate to contact us.

## PRODUCTS INCLUDED IN THIS MANUAL:

Product	Model	SKU
Standard Grow Tent 2FTx2FT	VST-S223	304113-21
Standard Grow Tent 2FTx2FT	VST-S224	304113-22
Standard Grow Tent 2.7FTx2.7FT	VST-S276	304113-27
Standard Grow Tent 2.5FTx1.5FT	VST-S3018	304113-3018
Standard Grow Tent 3FTx1.7FT	VST-S326	304113-32
Standard Grow Tent 3FTx3FT	VST-S336	304113-33
Standard Grow Tent 4FTx2FT	VST-S425	304113-42
Standard Grow Tent 4FTx4FT	VST-S448	304113-44
Standard Grow Tent 5FTx2.7FT	VST-S538	304113-52
Standard Grow Tent 5FTx5FT	VST-S558	304113-55
Standard Grow Tent (Grey) 4FTx2FT	VST-G425	GT-0001
Standard Grow Tent (Grey) 3FTx3FT	VST-G336	GT-0002
Standard Grow Tent (Grey) 4FTx4FT	VST-G448	GT-0003
Standard Grow Tent (Grey) 5FTx5FT	VST-G558	GT-0004

# CONTENTS

Key Features .....	1
Product Contents .....	2
Specifications .....	8
Installation .....	13
VST-S224/S276/S336/S448/S558/G336/G448/G558 .....	13
VST-S326/S425/S538/G425 .....	18
VST-S223/S3018 .....	23
Equipment Setup .....	28
Complete Your Setup.....	30
Warranty .....	33

# KEY FEATURES

## 1. Light-block & High-reflect Tent Coat

Professional tent coat design with 600D oxford nylon fabric exterior surface and high reflective mylar interior surface.

## 2. Ducting Openings

Multiple ducting openings with adjustable size suitable for different sizes of ductings with no leak of light.

## 3. Window for Viewing

A large transparent window with optional flap cover offers a clear view of inside without opening the tent.

## 4. Heavy-duty Frame

Thick metal poles and connectors provide a sturdy structure.

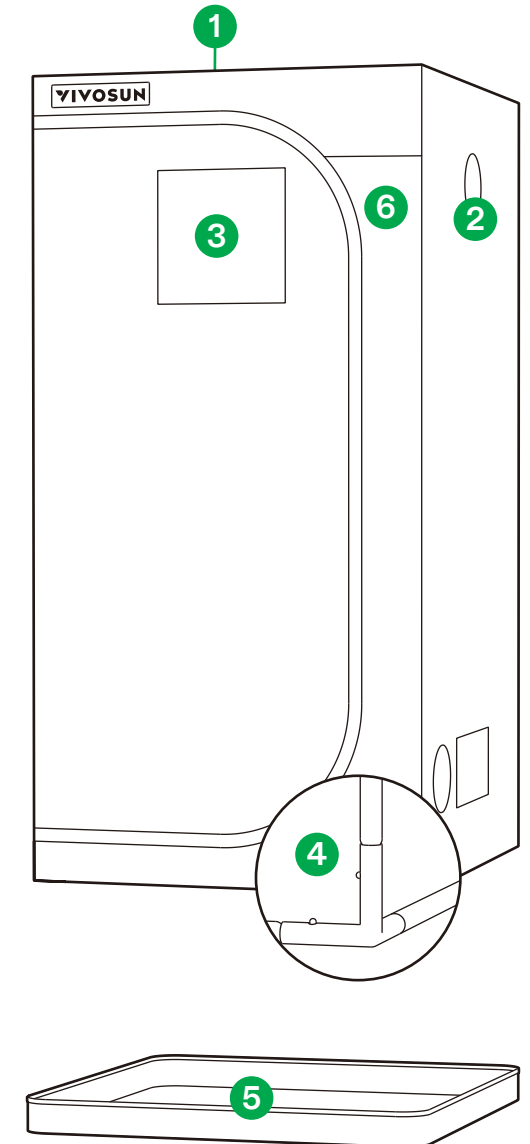
**Note:** All the devices must be distributed evenly on the ceiling bars.

## 5. Water-proof Floor Tray

A water-proof floor tray can hold water, soil and other debris preventing leakage.

## 6. Exclusive Wire Opening



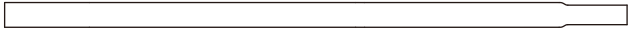
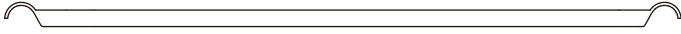

Double-covered wire opening for more convenient connection to the outside controller.

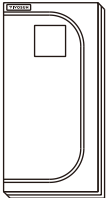


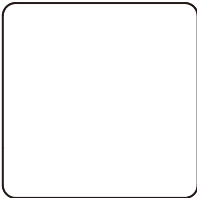
# PRODUCT CONTENTS


VST-S224/S276/S336/G336

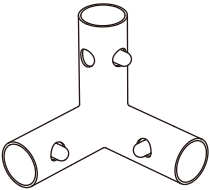
Frame Poles & Ceiling Bars

- A**   
8 pcs.
- B**   
4 pcs.
- C**   
4 pcs.
- E**   
1 pc.
- F**   
1 pc.

- 1**   
Tent Jacket Cover, 1 pc.

- 2**   
Floor Tray, 1 pc.



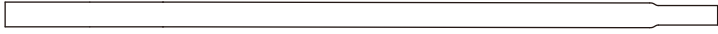


- 3**   
Filter Straps, 2 pcs.

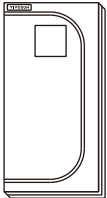
- 4**   
Corner Supports, 8 pcs.

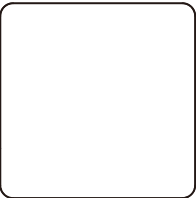
# PRODUCT CONTENTS

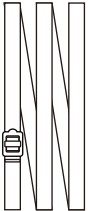
VST-S448/S558/G448/G558

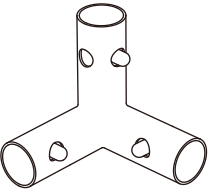
Frame Poles & Ceiling Bars

- A**   
8 pcs.
- B**   
4 pcs.
- C**   
4 pcs.
- E**   
1 pc.
- F**   
2 pcs.

- 1**   
Tent Jacket Cover, 1 pc.

- 2**   
Floor Tray, 1 pc.

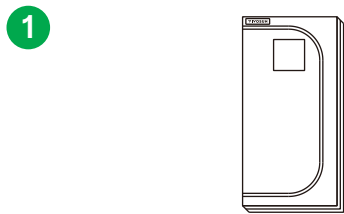
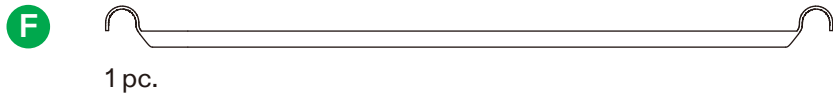
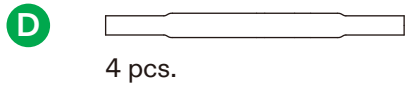
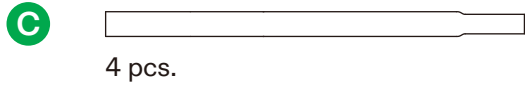
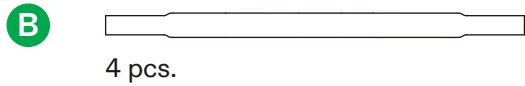
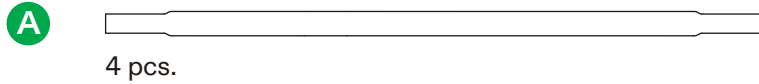
- 3**   
Filter Straps, 2 pcs.

- 4**   
Corner Supports, 8 pcs.

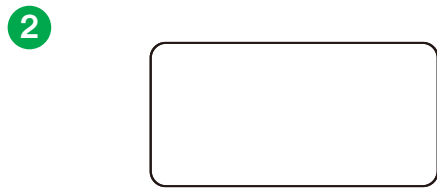
# PRODUCT CONTENTS

VST-S326/S425/G425

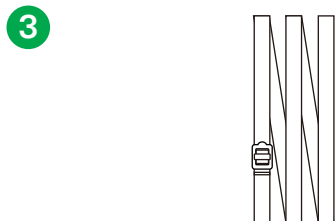
Frame Poles & Ceiling Bars



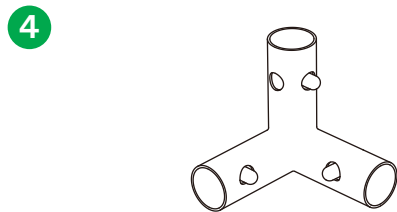
Tent Jacket Cover, 1 pc.



Floor Tray, 1 pc.



Filter Straps, 2 pcs.

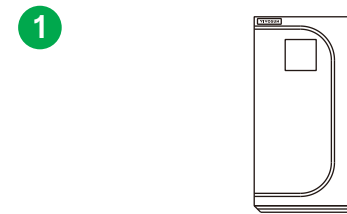
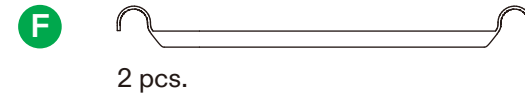
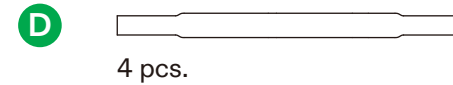
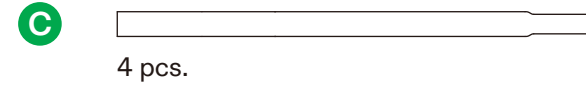
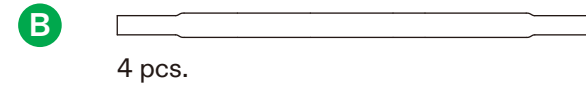
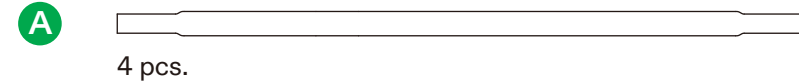


Corner Supports, 8 pcs.

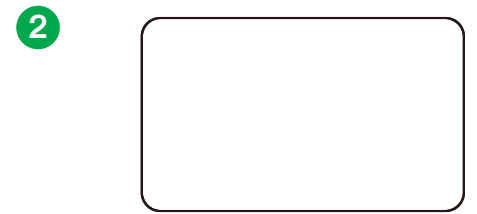
# PRODUCT CONTENTS

VST-S538

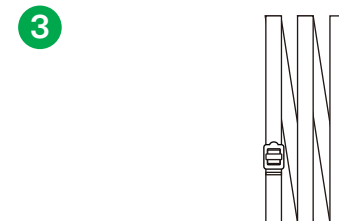
Frame Poles & Ceiling Bars



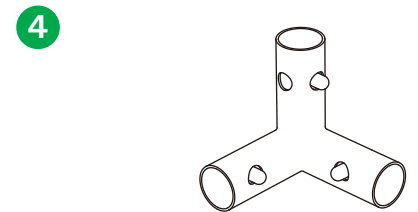
Tent Jacket Cover, 1 pc.



Floor Tray, 1 pc.



Filter Straps, 2 pcs.

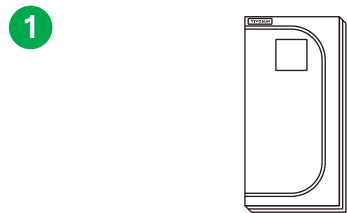
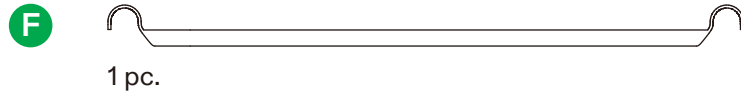
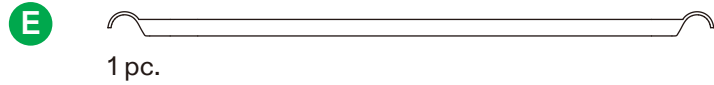
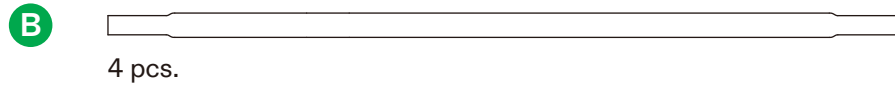
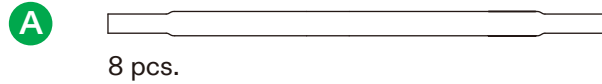


Corner Supports, 8 pcs.

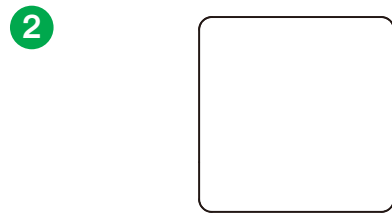
# PRODUCT CONTENTS

VST-S223

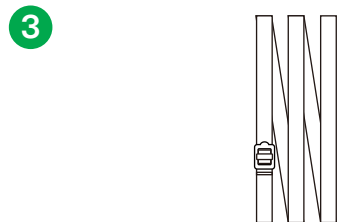
Frame Poles & Ceiling Bars



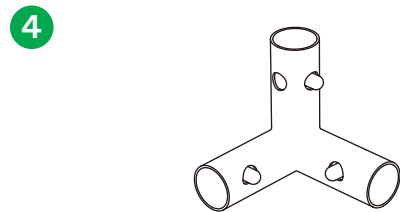
Tent Jacket Cover, 1 pc.



Floor Tray, 1 pc.



Filter Straps, 2 pcs.

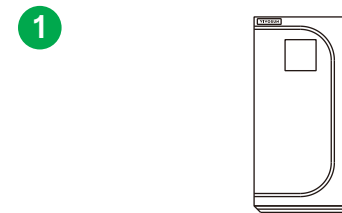
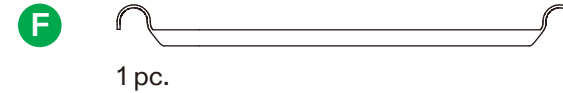
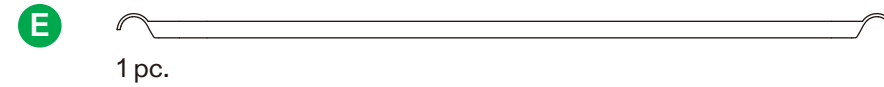
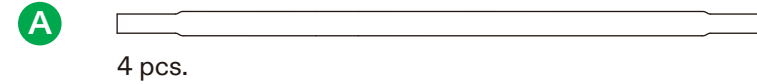


Corner Supports, 8 pcs.

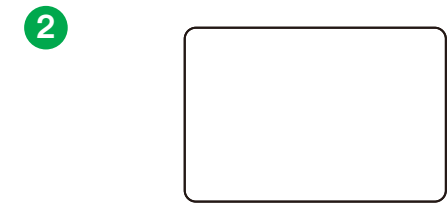
# PRODUCT CONTENTS

VST-S3018

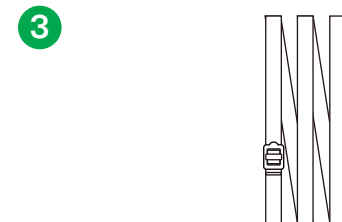
Frame Poles & Ceiling Bars



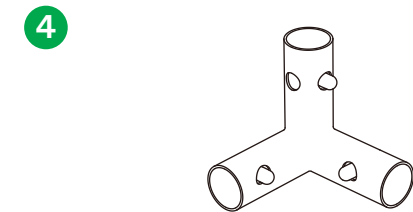
Tent Jacket Cover, 1 pc.



Floor Tray, 1 pc.



Filter Straps, 2 pcs.



Corner Supports, 8 pcs.

# SPECIFICATIONS

	VST-S224	VST-S276	VST-S336
Dimensions (LxWxH)	24"x24"x48"	32"x32"x63"	36"x36"x72"
Interior Material	High-reflective Mylar Material		
Exterior Material	Oxford Fabric		
Sealing Type	Double-covered Zippers		
View Window	Front Window x1		
Pole Size	16mm	16mm	16mm
Door	Front Door x1	Front Door x1	Front Door x1
Ducting Opening	4" x1 6" x3	4" x1 6" x3 8" x1	4" x2 6" x2 8" x3
Air Vents	Pre-Filter Air Vents x2	Pre-Filter Air Vents x2	Pre-Filter Air Vents x2
Floor Tray	24"x24" x1	32"x32" x1	36"x36" x1
Filter Straps	x2	x2	x2
Warranty	1 Year	1 Year	1 Year

# SPECIFICATIONS

	VST-S448	VST-S558	VST-S326
Dimensions (LxWxH)	48"x48"x80"	60"x60"x80"	36"x20"x63"
Interior Material	High-reflective Mylar Material		
Exterior Material	Oxford Fabric		
Sealing Type	Double-covered Zippers		
View Window	Front Window x1		
Pole Size	16mm	19mm	16mm
Ducting Opening	Front Door x1 Side Door x2	Front Door x1 Side Door x2	Front Door x1
Door	4" x2 8" x5	4" x2 8" x4 10" x1	4" x1 6" x4
Air Vents	Pre-Filter Air Vents x2	Pre-Filter Air Vents x2	Pre-Filter Air Vents x2
Floor Tray	48"x48" x1	60"x60" x1	36"x20" x1
Filter Straps	x2	x2	x2
Warranty	1 Year	1 Year	1 Year

# SPECIFICATIONS

	VST-S425	VST-S538	VST-S223
Dimensions (LxWxH)	48"x24"x60"	60"x32"x80"	24"x24"x36"
Interior Material	High-reflective Mylar Material		
Exterior Material	Oxford Fabric		
Sealing Type	Double-covered Zippers		
View Window	Front Window x1		
Pole Size	16mm	16mm	16mm
Door	Front Door x1	Front Door x1	Front Door x1
Ducting Opening	4" x2 6" x4 8" x1	4" x2 8" x5	4" x1 6" x3
Air Vents	Pre-Filter Air Vents x2	Pre-Filter Air Vents x2	Pre-Filter Air Vents x2
Floor Tray	48"x24" x1	60"x32" x1	24"x24" x1
Filter Straps	x2	x2	x2
Warranty	1 Year	1 Year	1 Year

# SPECIFICATIONS

	VST-S3018	VST-G425	VST-G336
Dimensions (LxWxH)	30"x18"x36"	48"x24"x60"	36"x36"x72"
Interior Material	High-reflective Mylar Material		
Exterior Material	Oxford Fabric		
Sealing Type	Double-covered Zippers		
View Window	Front Window x1		
Pole Size	16mm	19mm	19mm
Door	Front Door x1	Front Door x1	Front Door x1
Ducting Opening	4" x2 6" x3	4" x2 6" x4 8" x1	4" x2 6" x2 8" x3
Air Vents	Pre-Filter Air Vents x2	Pre-Filter Air Vents x2	Pre-Filter Air Vents x2
Floor Tray	30"x18" x1	48"x24" x1	36"x36" x1
Filter Straps	x2	x2	x2
Warranty	1 Year	1 Year	1 Year



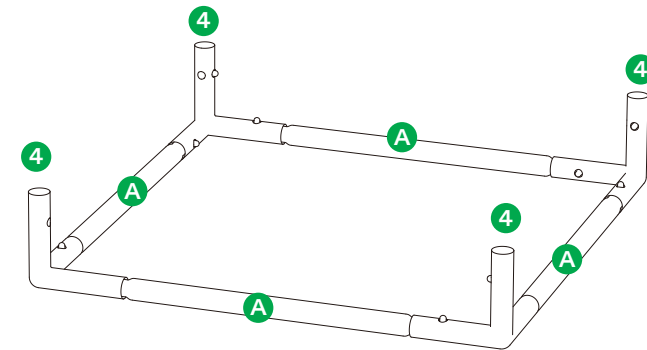
# SPECIFICATIONS

	VST-G448	VST-G558
Dimensions (LxWxH)	48"x48"x80"	60"x60"x80"
Interior Material	High-reflective Mylar Material	
Exterior Material	Oxford Fabric	
Sealing Type	Double-covered Zippers	
View Window	Front Window x1	
Pole Size	22mm	22mm
Door	Front Door x1 Side Door x2	Front Door x1 Side Door x2
Ducting Opening	4" x2 8" x5	4" x2 8" x4 10" x1
Air Vents	Pre-Filter Air Vents x2	Pre-Filter Air Vents x2
Floor Tray	48"x48" x1	60"x60" x1
Filter Straps	x2	x2
Warranty	1 Year	1 Year

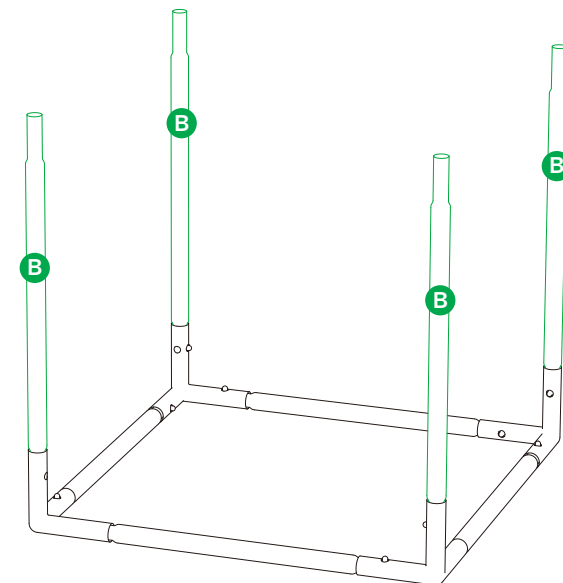
# INSTALLATION

## VST-S224/S276/S336/S448/S558/G336/G448/G558

**STEP 1** Connect four (A) Poles to four Corner Supports (4) to form the base frame of the tent.

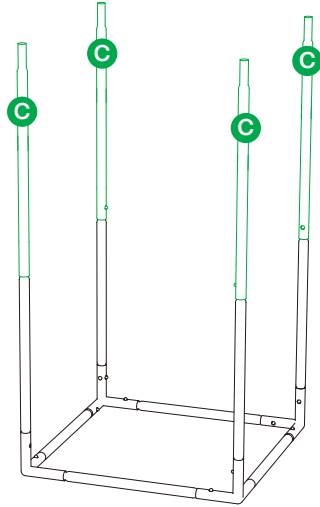


**STEP 2** Connect four (B) Poles to the Corner Supports (4) of the tent base.

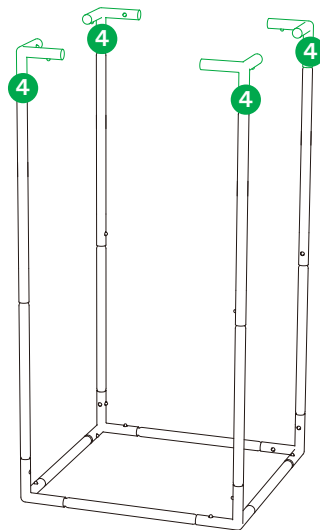


# INSTALLATION

**STEP 3** Connect four (C) Poles to the (B) Poles.

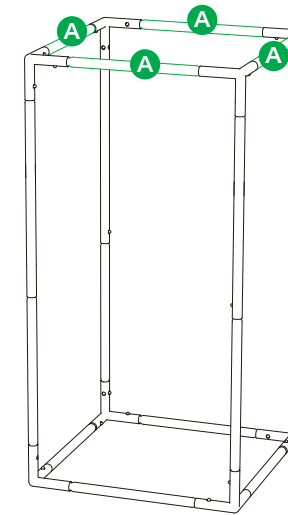


**STEP 4** Mount the other four Corner Supports (4) to the (C) Poles as shown.

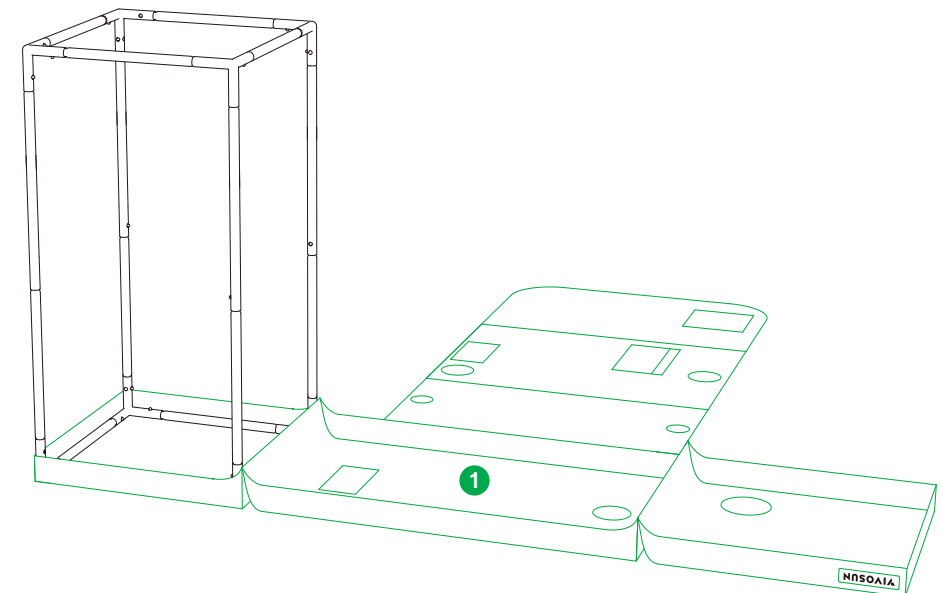


# INSTALLATION

**STEP 5** Connect the other four (A) Poles to the Corner Supports (4) to form the top frame of the tent.

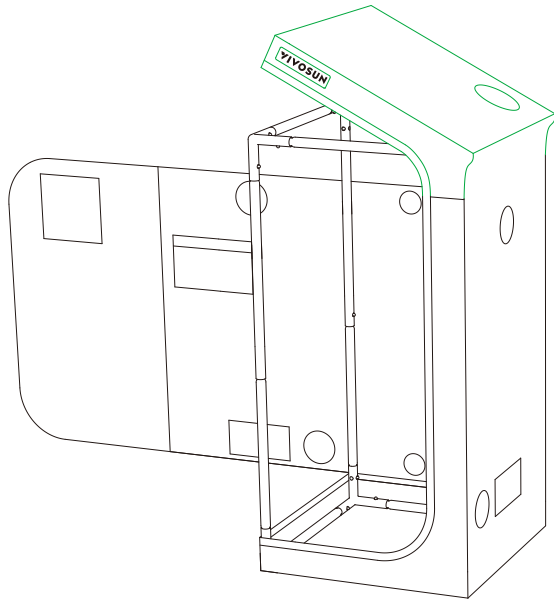


**STEP 6** Unzip and unfold the Tent Jacket Cover (1) and put the base frame in the bottom of the Tent Jacket Cover.

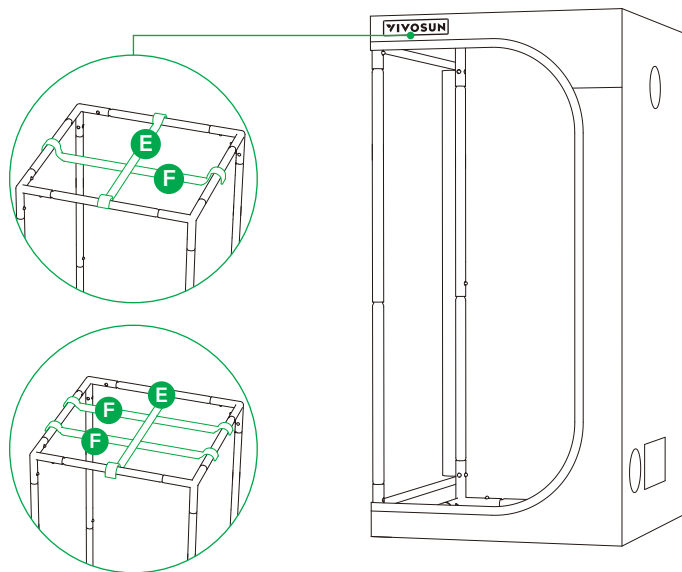


# INSTALLATION

**STEP 7** Pull up the tent roof and cover the top of the frame.



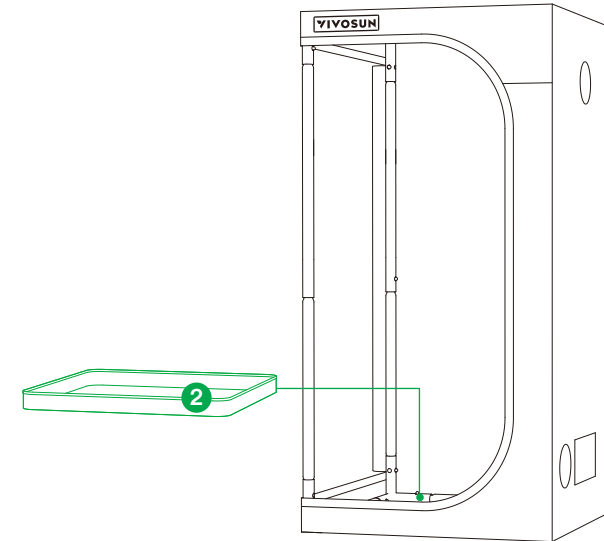
**STEP 8** Place the **Ceiling Bars (E, F)** on the top frame for hanging devices like lights and ventilation. For the VST-S(G)448/S(G)558, use two **(F) Ceiling Bars** and one **(E) Ceiling Bar**.



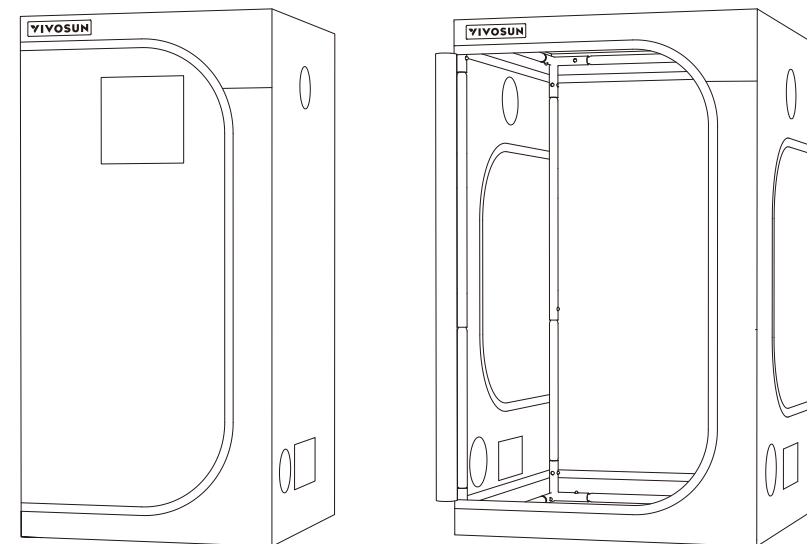
\*VST-S(G)448/S(G)558

# INSTALLATION

**STEP 9** Place the **Floor Tray (2)** into the tent.



**STEP 10** Pull the zippers to close the tent walls and door. Make sure the tent jacket cover fits the frame at the corners. The VST-S(G)448/S(G)558 has additional side doors.

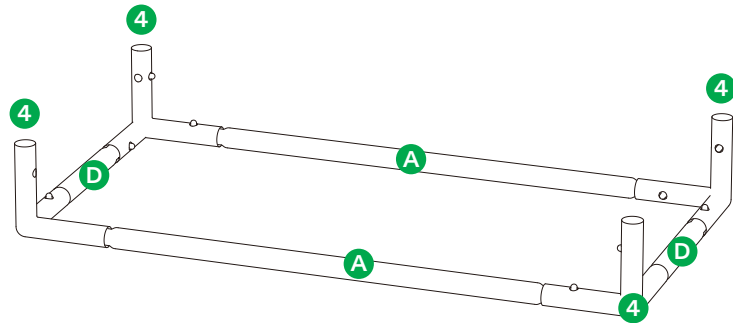


\*VST-S(G)448/S(G)558

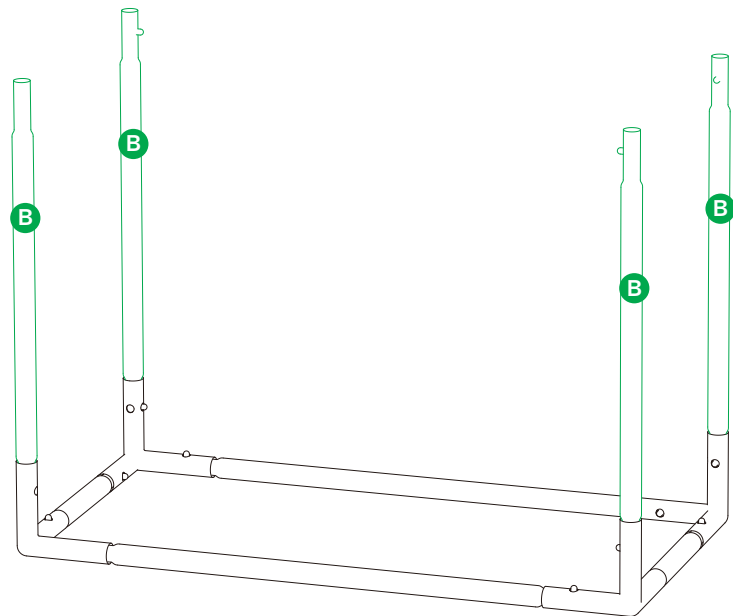
# INSTALLATION

VST-S326/S425/S538/G425

**STEP 1** Connect two (A) Poles and two (D) Poles to four Corner Supports (4) to form the base frame of the tent.

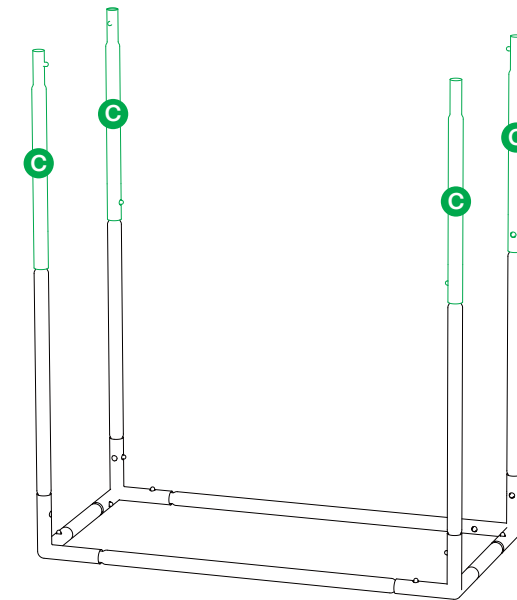


**STEP 2** Connect four (B) Poles to the Corner Supports (4) of the tent base.

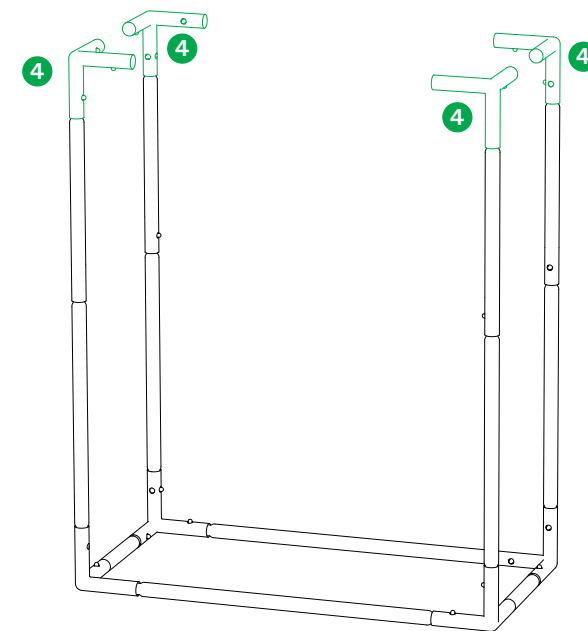


# INSTALLATION

**STEP 3** Connect four (C) Poles to the (B) Poles.

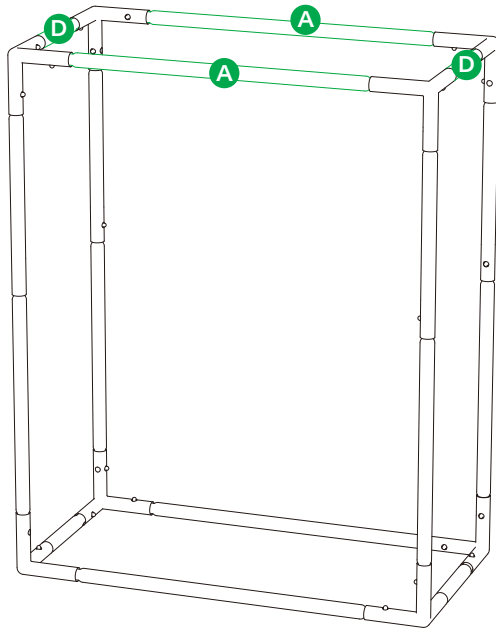


**STEP 4** Attach the other four Corner Supports (4) to the (C) Poles as shown.

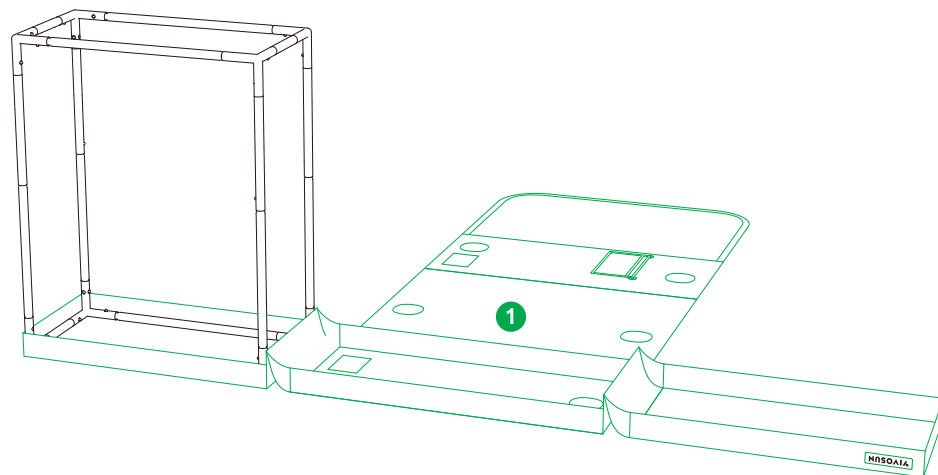


# INSTALLATION

**STEP 5** Connect two (A) Poles and two (D) Poles to the **Corner Supports (4)** to form the top frame of the tent.

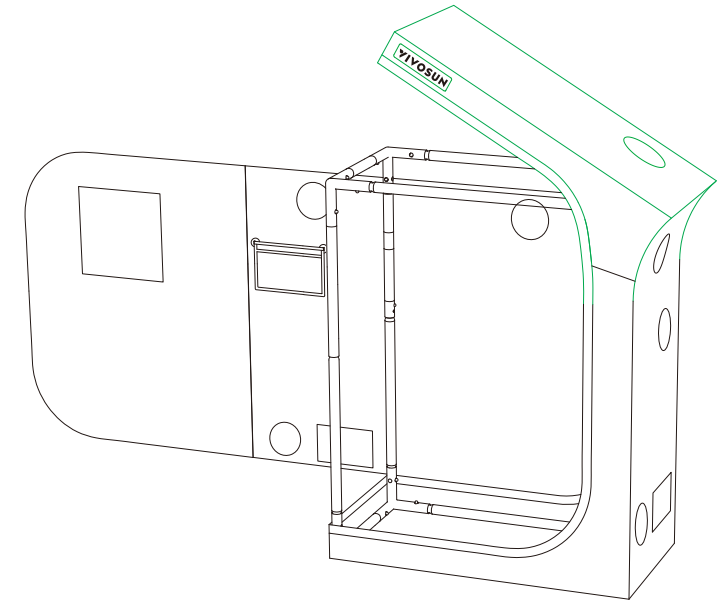


**STEP 6** Unzip and unfold the **Tent Jacket Cover (1)** and put the base frame in the bottom of the **Tent Jacket Cover**.

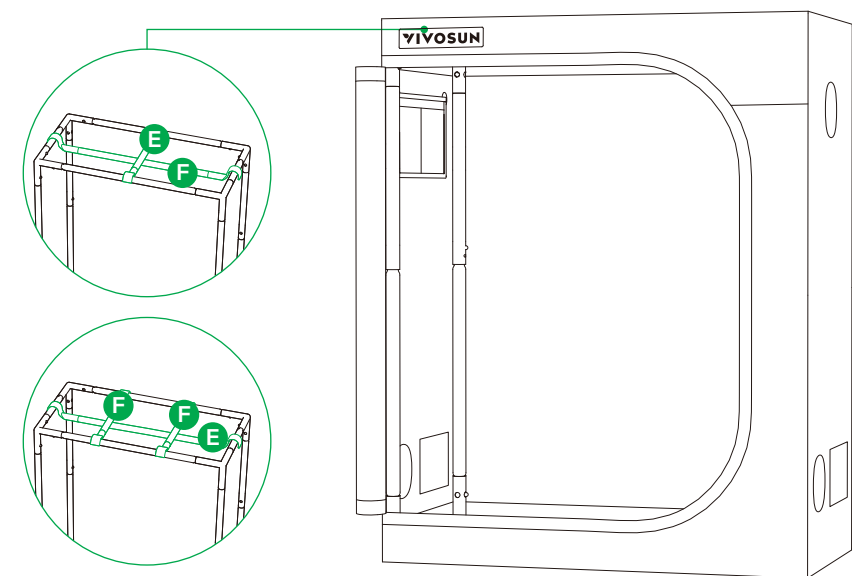


# INSTALLATION

**STEP 7** Pull up the tent roof and cover the top of the frame.



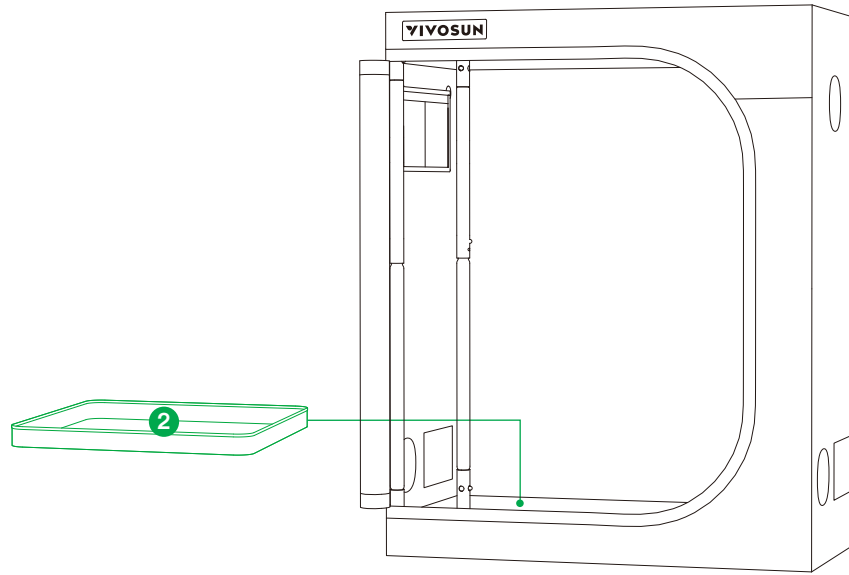
**STEP 8** Place the **Ceiling Bars (E, F)** on the top frame for hanging devices like lights and ventilation. For the VST-S538, use two (F) **Ceiling Bars** and one (E) **Ceiling Bar**.



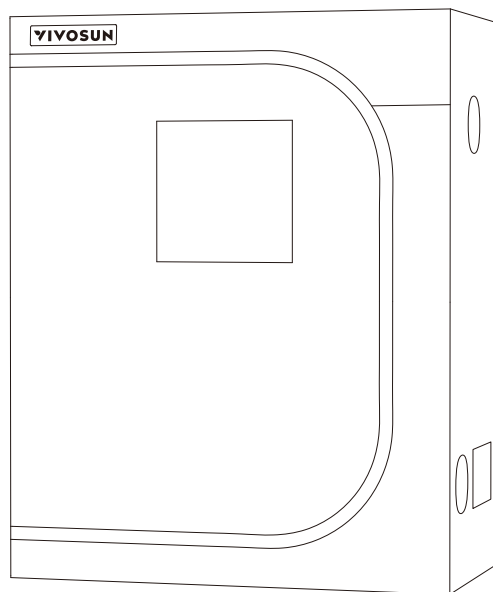
\*VST-S538

# INSTALLATION

**STEP 9** Place the **Floor Tray (2)** into the tent.



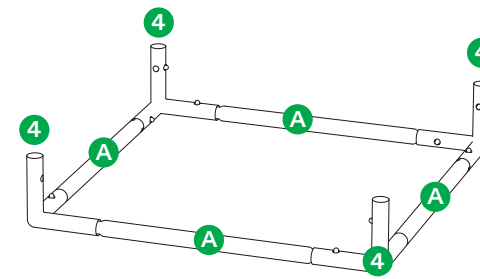
**STEP 10** Pull the zippers to close the tent walls and door. Make sure the tent coat fits the frame at the corners.



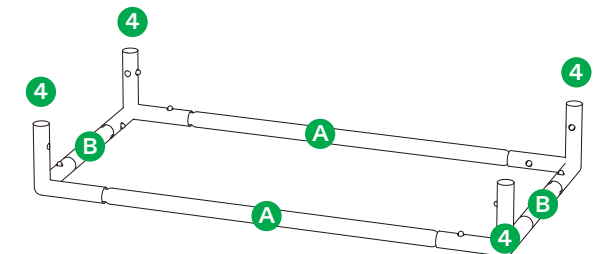
# INSTALLATION

**VST-S223/S3018**

**STEP 1** Connect four **(A) Poles** to four **Corner Supports (4)** to form the base frame of the tent. For the VST-S3018, connect two **(A) Poles** and two **(B) Poles** to four **Corner Supports (4)**.

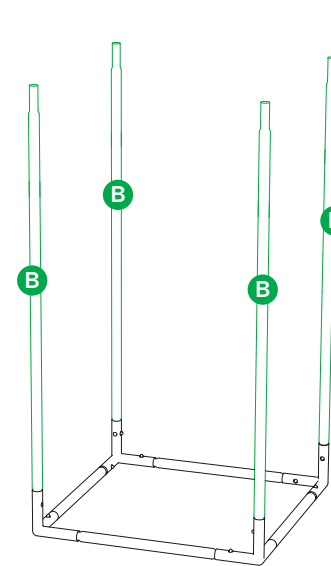


\*VST-S223

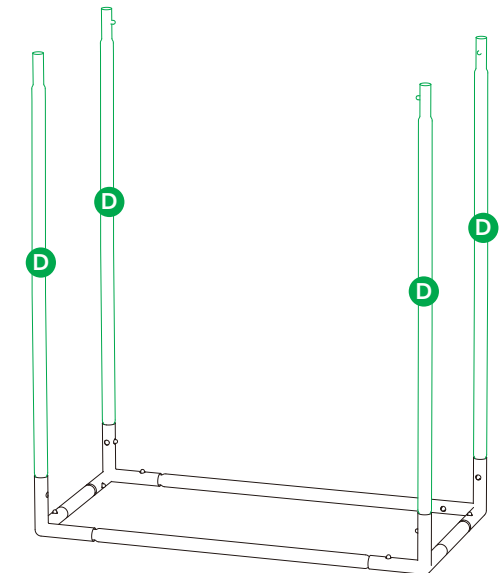


\*VST-S3018

**STEP 2** Connect four **(B) Poles** to the **Corner Supports (4)** of the tent base. For VST-S3018, connect four **(D) Poles** to the **Corner Supports (4)**.



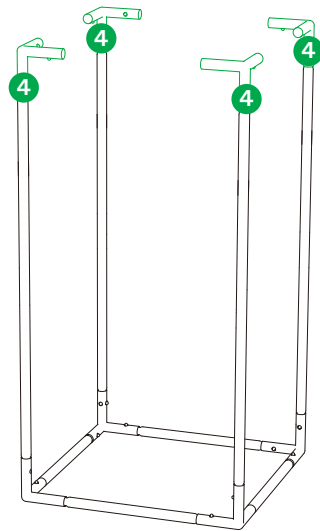
\*VST-S223



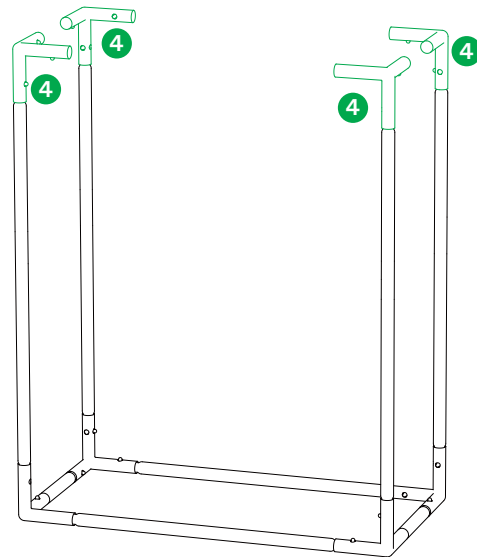
\*VST-S3018

# INSTALLATION

**STEP 3** Attach the other four **Corner Supports (4)** to the **(B) Poles** or **(D) Poles** as shown.

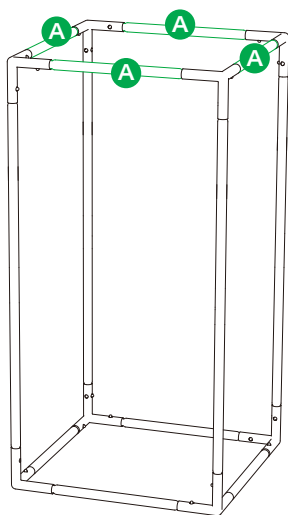


\*VST-S223

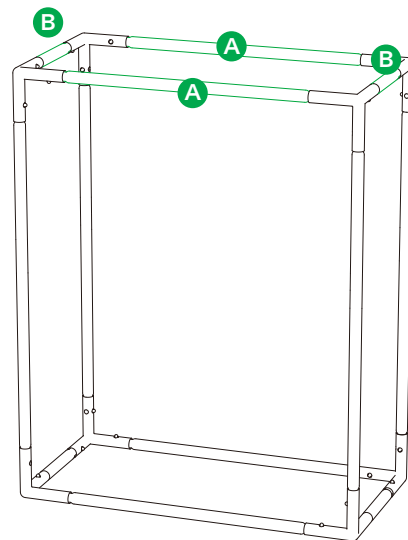


\*VST-S3018

**STEP 4** Connect the other four **(A) Poles** to the **Corner Supports (4)** to form the top frame of the tent. For the VST-S3018, connect two **(A) Poles** and two **(B) Poles** as shown.



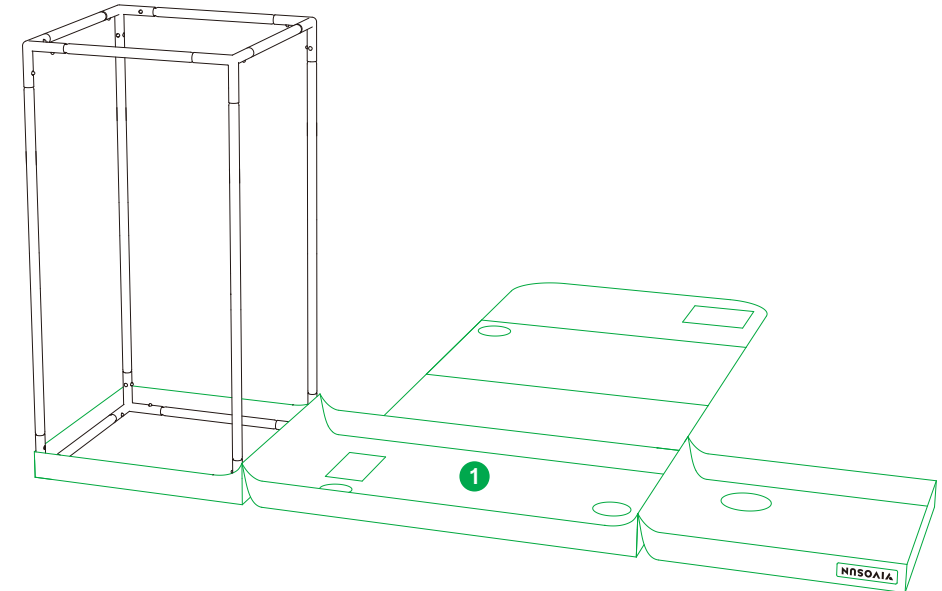
\*VST-S223



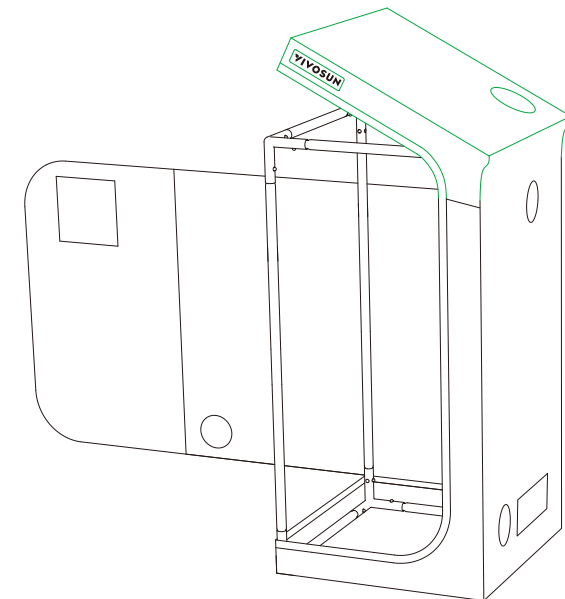
\*VST-S3018

# INSTALLATION

**STEP 5** Unzip and unfold the **Tent Jacket Cover (1)** and put the base frame in the bottom of the **Tent Jacket Cover**.

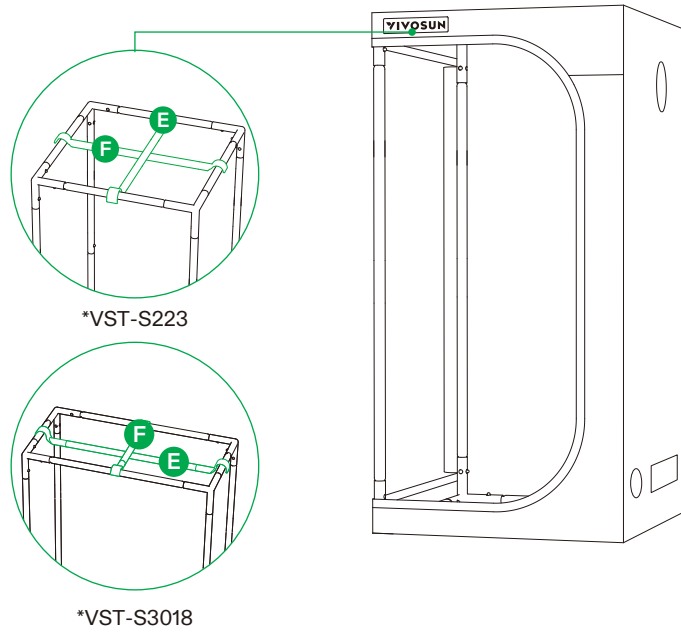


**STEP 6** Pull up the tent roof and cover the top frame.

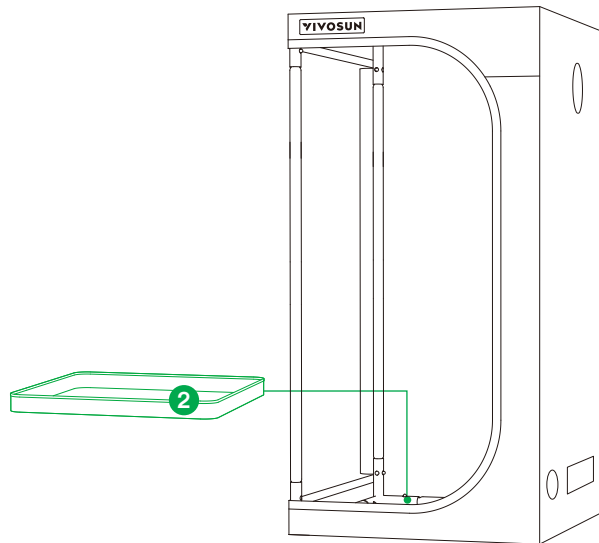


# INSTALLATION

**STEP 7** Place the **Ceiling Bars (E, F)** on the top frame for hanging devices.

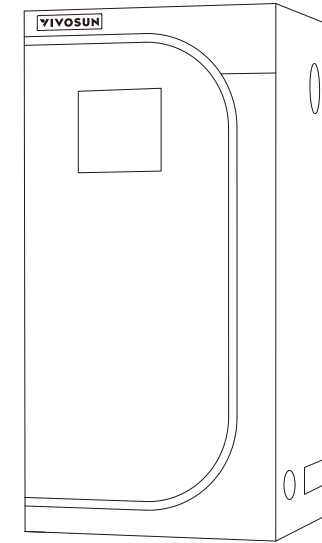


**STEP 8** Place the **Floor Tray (2)** into the tent.



# INSTALLATION

**STEP 9** Pull the zippers to close the tent walls and door. Make sure the tent jacket cover fits the frame at the corners.





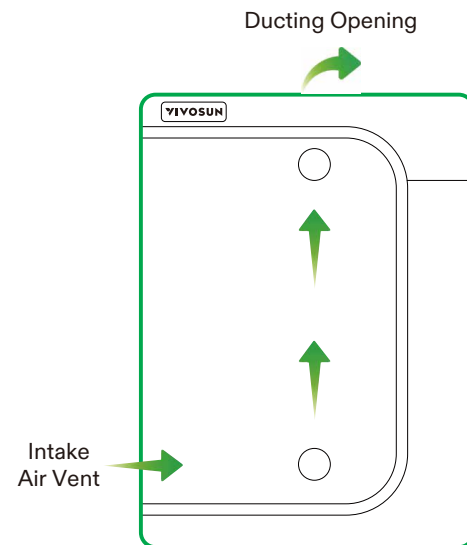
# EQUIPMENT SETUP

## VENTILATION OF GROW TENT

The grow tent has multiple ducting openings and intake holes for ventilation.

**Ducting Opening:** Install a necessary ducting onto a suitable size of ducting opening. Use the cinches on either side of the opening to secure the ducting onto the tent.

**Intake Air Vent:** Introduce fresh air from outside through the intake air vent on the tent.

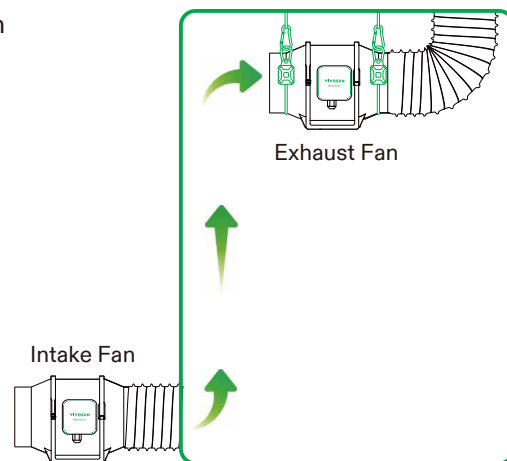


## INLINE FAN APPLICATION

The Inline fan can be used as an exhaust fan or an intake fan in a grow tent.

**Exhaust fan:** Hung or mounted on the highest opposite corner inside your grow tent. Airflow arrow points away from your grow tent.

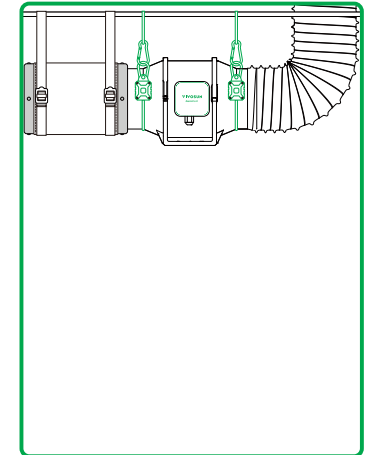
**Intake fan:** Mounted at a bottom corner outside of your grow tent. Airflow arrow points toward your grow tent.



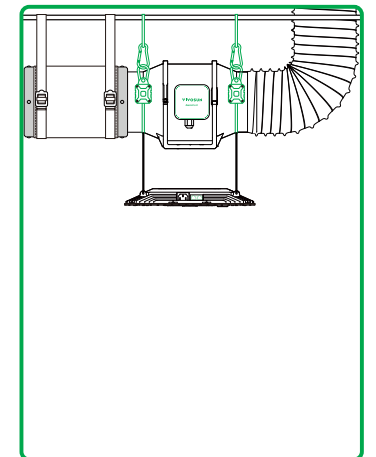
# EQUIPMENT SETUP

## TYPICAL SETUP

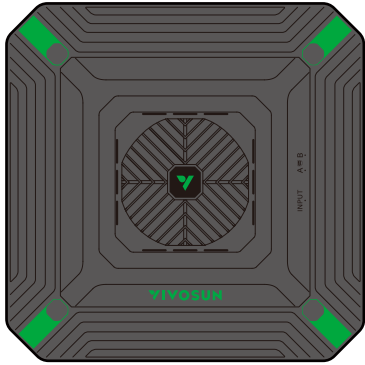
**Inline Fan & Carbon Filter:** Choose an appropriate inline fan suitable for your grow tent. Hang the inline fan on the ceiling bar of the tent and connect with ductings on the air outlet side of the fan. Install a carbon filter on the air inlet side of the tent and hang with straps (provided with tent).



**Grow Light:** Choose an appropriate grow light for your tent. Install the grow light with rope hangers after install the inline fan and carbon filter. Adjust the light to an appropriate height.



## COMPLETE YOUR SETUP



### LED GROW LIGHT

AeroLight/VS/VSX/VSF

- 100W-645W powerful LED grow light
- High PPE efficacy with Samsung LED
- Full spectrum included FR/UV
- 0-100% dimming with daisy-chain
- ETL/CE/FCC certificated
- Compatible with GrowHub controller

### CONTROLLER

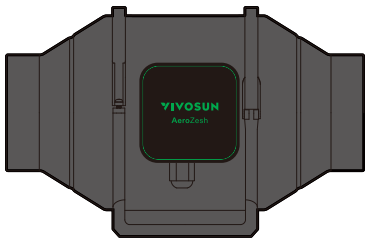
GrowHub E42/E42A

- WiFi remotely control with VIVOSUN App
- Complete control of lights, inline fans and circulation fans
- Temp./Humidity monitoring and control
- Compatible with VIVOSUN devices like AeroLight, AeroZesh, VS series lights
- Professional controller designed for growers

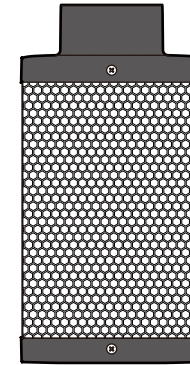
### INLINE DUCT FAN

AeroZesh

- Efficient air flow with high static pressure
- 4' / 6' / 8' for different size of tent
- Quiet EC motor and energy saving
- Dual ball bearings with long lifetime
- Precise fan speed adjustment by PWM
- Compatible with GrowHub controller with multiple professional operation modes

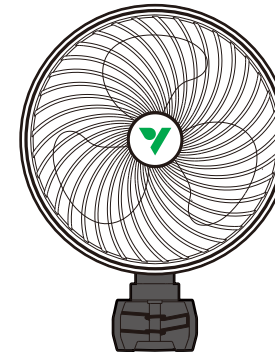


## COMPLETE YOUR SETUP



### CARBON FILTER

- Eliminate odors and refresh air
- Premium grade of Australian charcoal
- High efficiency of absorption and long lifetime
- 4' /6' /8' compatible with different inline fans



### CLIP-ON CIRCULATION FAN

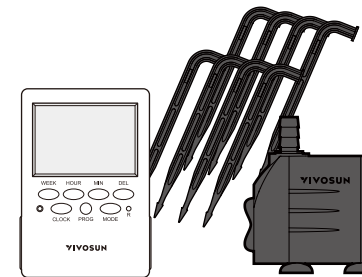
AeroWave

- Patented clip-on design, easy to install
- Automatic oscillation
- Fan speed adjustable
- High air flow and energy saving
- Compatible with GrowHub controller (E Series)

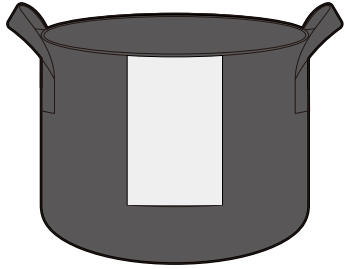
### IRRIGATION SYSTEM

Flexfeed

- Automated drip irrigation system
- Professional irrigation settings
- Precise and stable irrigation
- Quiet and efficient
- Easy to install

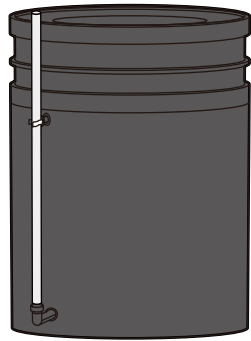


## COMPLETE YOUR SETUP



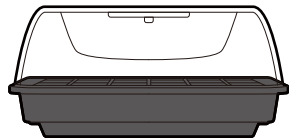
### GROW BAG

- Different size of 1-30 gallons
- 300G durable nonwoven fabric
- Root breathable and air pruning



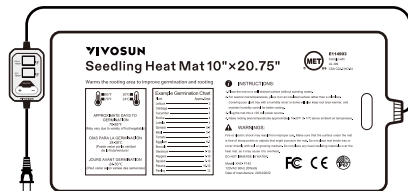
### DWC HYDROPONIC SYSTEM

- DWC+Top Dripping hydroponic system
- Efficient air-driven top dripping technology
- One or four 5-gallon bucket(s)
- Suitable from seedling to harvest
- Easy to install and automated running



### PROPAGATION TRAY & HEAT MAT

- Propagation tray and heat mat kit
- Transparent dome with humidity adjustment
- Heat mat with precise temperature control improving seeding and uniform seedling
- Easy and safe to use



Please contact us for more information of our products and recommendations for a growing system suitable for you.

## WARRANTY

The VIVOSUN warranty program is our commitment to you. That the product sold by VIVOSUN will be free from defects in manufacturing for a period of two years from the date of purchase. If a product is found to have a defect in material or workmanship within one years of the date of purchase, we will take the appropriate actions as defined in this warranty to resolve any issues.

This warranty program applies to any order, purchase, receipt, or use of any products sold by VIVOSUN or our authorized dealerships. The program covers products that have become defective, malfunctioned, or has otherwise become unusable. The warranty program goes into effect on the date of purchase and expires two years from the date of purchase. If your product becomes defective during that period VIVOSUN will replace your product with a new one or issue a full refund. This warranty program does not cover defects arising from abuse or misuse. This includes physical damage, submersion of the product in water, incorrect installation such as use with the wrong voltage, or misuse for any reason other than the product's intended purpose. VIVOSUN is not responsible for consequential loss or incidental damage of any nature caused by the product.

We will not warrant damage from normal wear such as scratches and dings.



If you run into any issues with this product, contact us and we'll happily issue a replacement or a full refund!