

# VIVOSUN



**2-in-1 Cool & Warm Mist**

**USER MANUAL**

# Love what you grow™

Welcome to **VIVOSUN**

Thank you for choosing VIVOSUN. We are committed to product quality and friendly customer service. If you have any questions or suggestions, please don't hesitate to contact us.

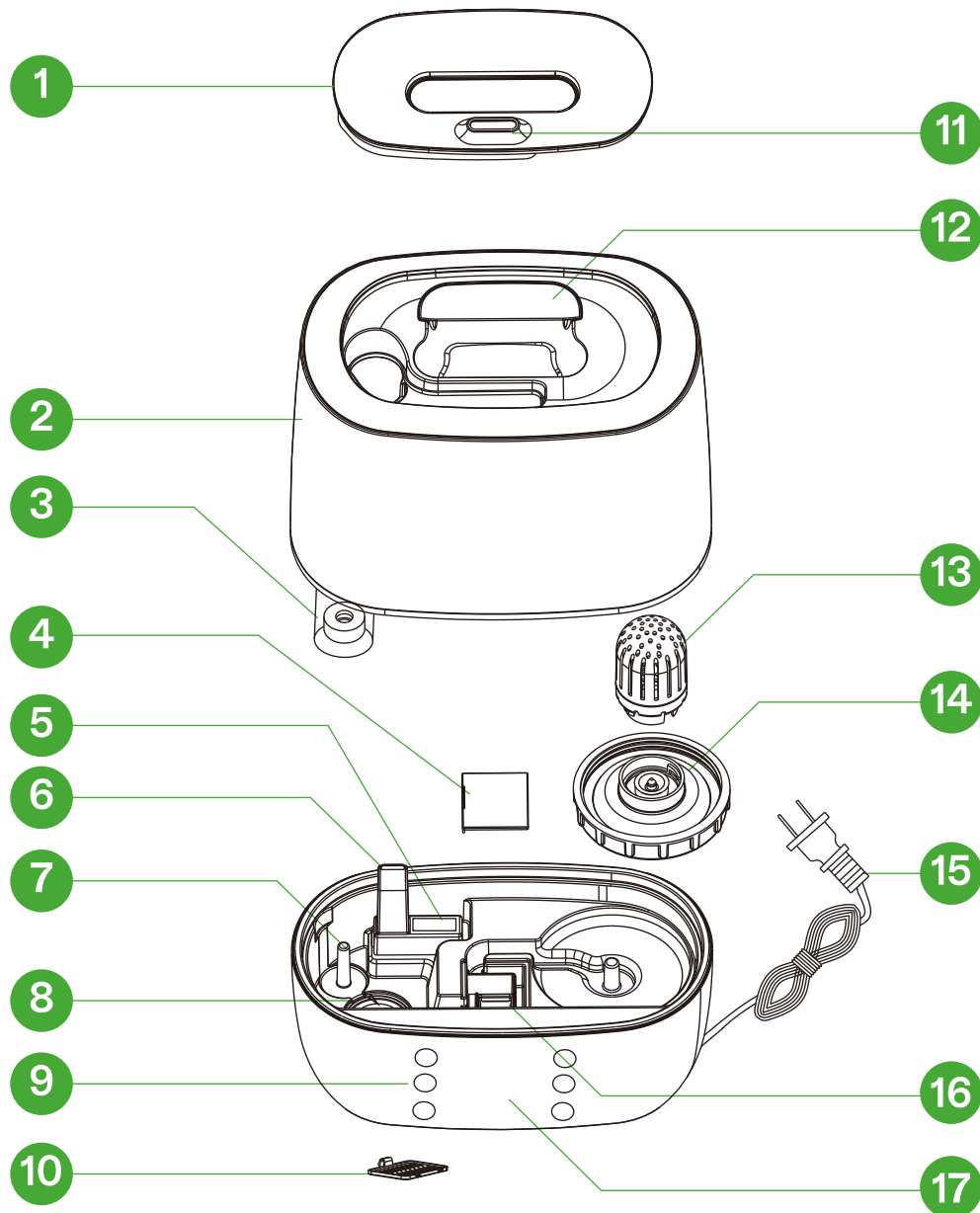
# CONTENTS

Safety Tips .....	1
Schematics .....	2
Specifications .....	3
How to Use .....	3
Operating Notes .....	6
Safety Notes .....	6
Maintenance and Cleaning .....	7
Troubleshooting Tips .....	8

# SAFETY TIPS

1. Please read this user manual carefully before using the device.
2. Do not attempt to unplug the power cord with wet hands.
3. In the event that the device tips over, shut off the power before approaching.
4. The cabinet of this product is made of plastic to prevent electric shock. Please be careful when handling this product and do not handle the product if it is plugged in and is full of water.
5. To mitigate the risk of electric shock, short circuiting, or fire, the unit's power cord should not be cut, scarred, damaged, bent excessively, or twisted.
6. Do not change the power cable- please keep the stock unit.
7. Do not allow children to operate the device.
8. This device is meant for indoor use only.
9. Do not use this device in environments where corrosive materials or conductive dust are present, as this may damage the device.
10. If the power supply cord is damaged, it must be replaced by the manufacturer, its service agent or a qualified professional in order to avoid potential hazards.
11. This device is not intended for use by persons (including children) with reduced physical, sensory or mental capabilities, or lack of experience and professional knowledge, unless they are under the supervision or instruction concerning use of the device by a person responsible for their safety.
12. To ensure safety, it is essential to supervise children and prevent them from playing with the device.
13. Unplug the device during filling and cleaning.

# SCHEMATICS



- 1. Cover
- 2. Water tank
- 3. Water level sensing floater
- 4. PTC cover
- 5. Essential oil foam
- 6. Air outlet

- 7. Waterless protection switch
- 8. Vibration board
- 9. Touch button
- 10. Air intake grid
- 11. Nozzle

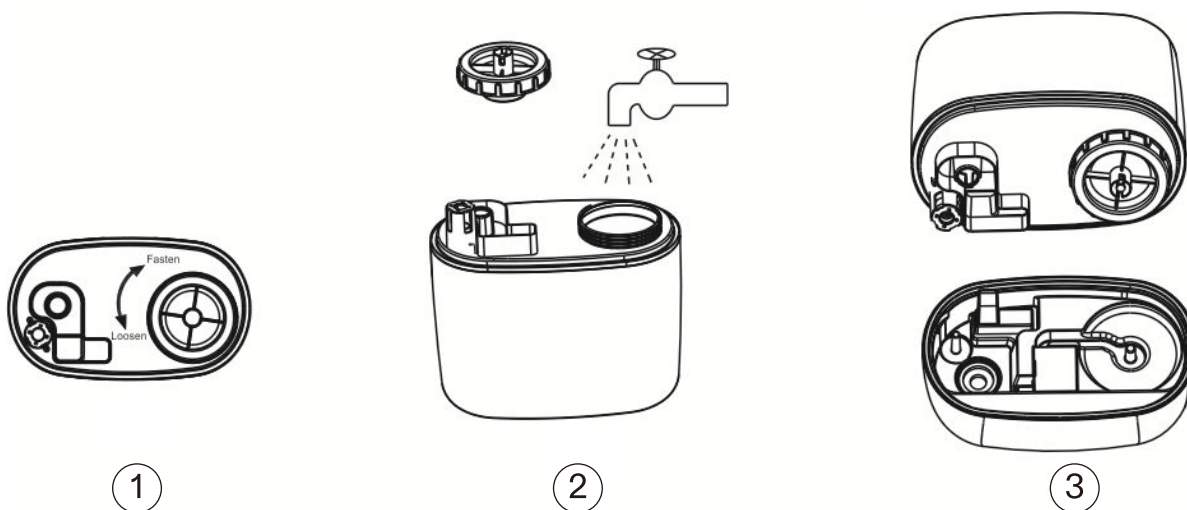
- 12. Water tank handle
- 13. Filter
- 14. Water tank cap
- 15. Power cord
- 16. PTC
- 17. LCD screen

# SPECIFICATIONS

Model No.	HE0002	Voltage	100-240V	Frequency	50Hz
Cool mist power	27W	Warm mist power	55W	Capacity	5.0L
Volume	350ml/h	Noise	<35dB(A)	Type	Class II

# HOW TO USE

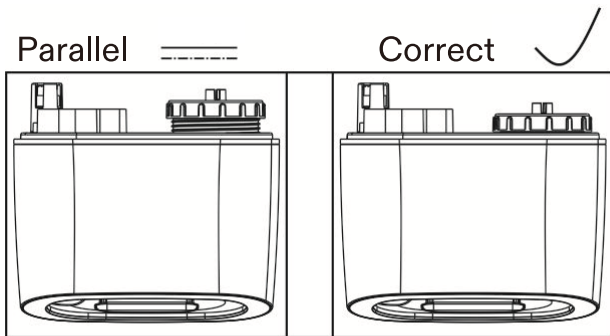
1. Once you have placed your VIVOSUN Cool & Warm Mist Humidifier in the desired location, it's time to fill it with water. Lift up the water tank and take it to a sink or other appropriate filling location. Turn the tank upside down, unscrew the tank tap by turning it counter-clockwise, and fill with water until it is full. Screw the tank tap back on by turning clockwise, and wipe away any excess water. Return the water tank to the humidifier as shown in the diagram below. See below:



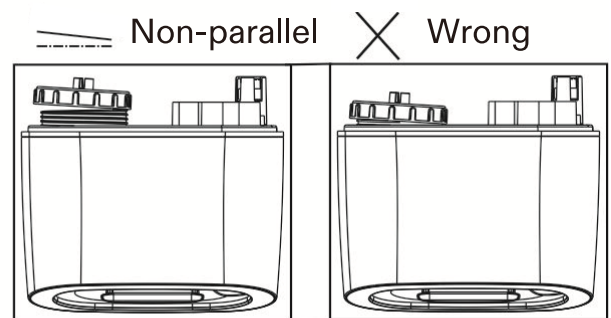
## ATTENTION:

Please refer to DRAWING A below for detailed notes on screwing/ unscrewing the tank tap cap. Please take extra care to ensure the tank tap cap is tightened correctly. If misplaced, as shown in DRAWING B, please unscrew and try again.

# HOW TO USE

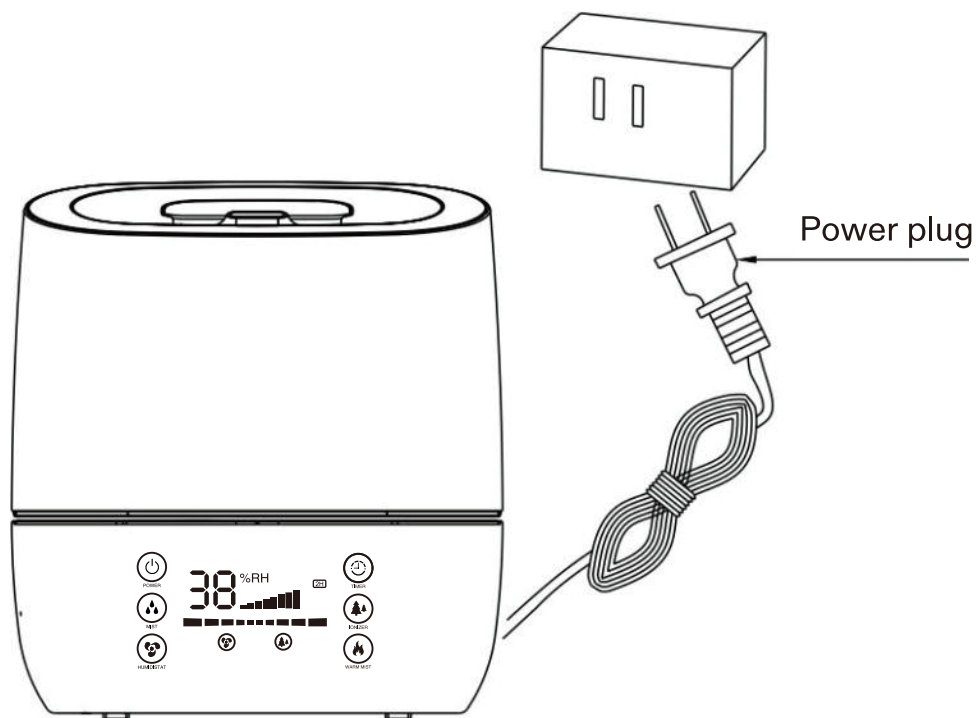


DRAWING A



DRAWING B

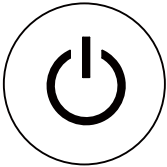
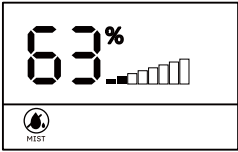

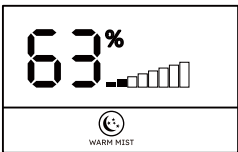

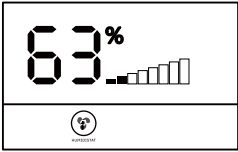

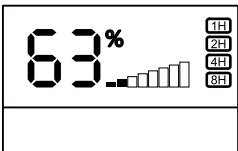

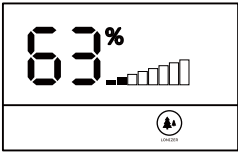

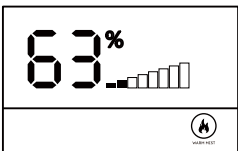
- (1) After the water tank has filled the humidifier's water tray, connect the device to a 110V 60Hz power supply and touch the power button to switch it on. The indicator light should come on and your VIVOSUN Cool & Warm Mist Humidifier should begin to work. The device will start at high humidification, and ambient humidity and mist volume will be displayed on the digital screen. See the diagram below:





# HOW TO USE

## (2) Operational Instructions

Touch button	Button Shown	Operational Instructions
 ON/OFF		<b>Power:</b> After touching the power button, the device will start working in high vapping mode and the ambient humidity will be shown on the display. When the unit is running low on water, a red indicator light will begin flashing and beep will sound. To continue use, refill the water tank and restart the machine.
 MIST		<b>Mist:</b> Low diffusion = 2 bars; Medium diffusion = 5 bars; High diffusion = 8 bars. Press the mist button for 3 seconds and the device will enter Sleep Mode; all other functions will power off. Exit Sleep Mode by touching any function button.
 HUMIDISTAT		<b>Humidistat:</b> After touching the humidistat button, a humidity reading between 40-85% will begin flashing. For example, If humidity is set at 65%, the unit will continue working until ambient humidity reaches 65%, at which point it will automatically switch off. If the ambient humidity exceeds 85%, please exit humidistat mode.
 TIMER		<b>Timer:</b> 1/2/4/8 hours.
 IONIZER		<b>Ionizer:</b> Touch the ionizer button to turn on the ionizer function. Touch the button again to turn it off.
 WARM MIST		<b>Warm Mist:</b> Touch the warm mist button to turn on the warm mist function. Touch the button again to turn it off.



# OPERATING NOTES

When using this humidifier, the following measures must be observed:

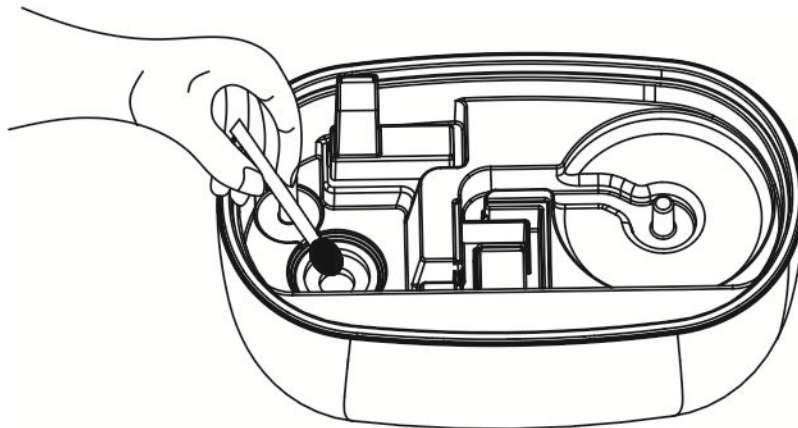
1. Please read all these instructions carefully, even if you feel you are very familiar with the product.
2. Before plugging the device in, please check that the voltage of your home matches that of the humidifier. If there is a mismatch, please contact your dealer for a replacement humidifier with the correct voltage.
3. Do not place the humidifier near heating surfaces, stoves, space heaters, etc.
4. Place your humidifier as far as possible from other pieces of furniture and electronics.
5. Do not touch the base's water or transducer when the product is in operation.
6. Do not turn on the humidifier if the water tank is empty.
7. Do not immerse the humidifier in water.
8. Disconnect the power supply before cleaning or servicing the humidifier.
9. Do not use tap water above 104°F.

# SAFETY NOTES

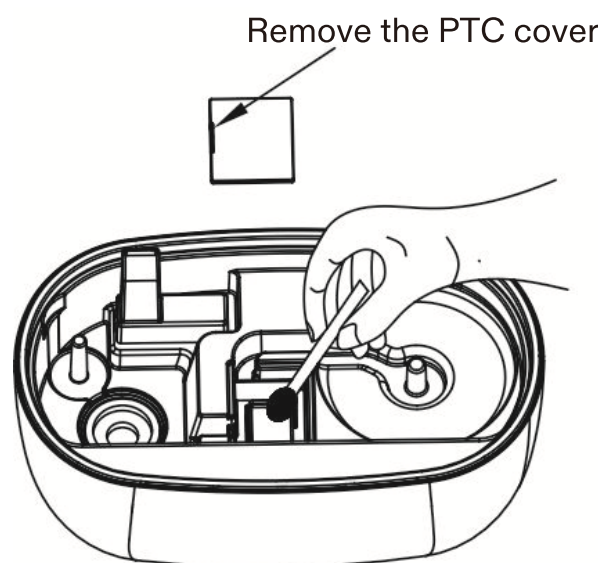
1. Do not attempt to unplug the humidifier with wet hands.
2. If the machine tips over, disconnect the power supply before turning it upright.
3. Do not touch the humidifier after it has been switched on.
4. Do not disassemble the machine when it is plugged in.
5. Do not attempt to replace the power cord on your own. If the power cord is worn out, please contact a VIVOSUN representative.
6. Please keep the machine out of the reach of children.

# CLEANING & MAINTENANCE

1. The power supply must be disconnected and the plug pulled out before cleaning.
2. When cleaning the water tank (once every 2-3 weeks), unscrew the tank cap, wipe away any residue with a soft cloth, and wash it with clean water.
3. When cleaning the water tray (once a week), wipe clean with a bit of soap on a soft cloth, and rinse with clean water.
4. When cleaning the humidifier's external body, soak a soft cloth in warm water (below 40°C) and use it to wipe away any dirt.
5. When cleaning the atomizer, use a cotton swab to wipe it and then wash with clean water.



6. When cleaning the PTC (once a week), wipe with a cotton bud or soft cloth and rinse with clean water.



# TROUBLESHOOTING TIPS

Uncommon Situation	Causes	Solutions
Digital screen turned off; no fan or atomizing read out	Power cord is not properly plugged in	Check power cord
	Power switch is set to "off"	Check power switch
Poor button response	Hands are wet or button is pressed too quickly	If hands are wet, wipe them dry
		Press the button for around 1 second
Fog appears small and/or water column sprays up when machine is turned on	The atomizer is crusted with residue, or the machine is brand new or has been in storage a long time	Clean atomizer according to MAINTENANCE AND CLEANING instruction #5
		Change water
Fog smells unpleasant	Dirty water and/ or water tank	Unscrew tank cap and leave open in shade for 12 hours, then clean and refill with clean water
Low water warning always on	Water tank not attached correctly	Lift the tank and reinstall according to HOW TO USE instructions
Nozzle cover is leaking mist	Nozzle cover is out of place	Replace the nozzle cover correctly
Leak between tank and base	Tank cap not screwed on tightly	Unscrew and re-screw the tank cap
	Crack in tank	Replace the water tank

Designed by **VIVOSUN** in California.  
Made in China