

# VIVOSUN

Designed by **VIVOSUN** in California.  
Made in China



## 6L Cool Mist Humidifier

USER MANUAL

Love  
what  
you  
grow™

Welcome to **VIVOSUN**

Thank you for choosing VIVOSUN. We are committed to product quality and friendly customer service. If you have any questions or suggestions, please don't hesitate to contact us.

## CONTENTS

Technical Data .....	1
Working Principles .....	2
Features .....	2
Correct Humidity Level .....	2
Functions .....	3
Security Guide .....	3
Exploded Drawing .....	5
Operation Instructions .....	5
Operation Steps .....	6
Troubleshooting .....	7
Maintenance .....	8

## TECHNICAL DATA

Model No:	HD-59J
Standard Output:	300ml/ H
Water Tank Volume:	6.0 L
Noise Level:	< 35dB(A)
Rated Voltage:	110-120V
Frequency:	60Hz
Rated Power Input:	30W
Current:	0.4A
N.W/G.W:	3.8 /5.8 lbs

## WORKING PRINCIPLES

This ultrasonic humidifier uses high-frequency ultrasonic vibrations to break up water into tiny water particles about 1-5um in diameter. The ventilation system blows out this water into the dry air where it evaporates to create the desired humidity. Clearly visible, smooth and even mist will be seen coming out of the unit.

## FEATURES

- Highly-efficient in high output humidification.
- Low energy consumption,85-90% less electricity than a normal stream humidifier.
- Long service life.
- Automatically controls humidity level and has a "lack-water" safety feature.

## CORRECT HUMIDITY LEVEL

What exactly is relative humidity? Relative humidity is the percentage of the actual water vapor contained in a given defined temperature and space relative to saturated water vapor. We normally mark it with %RH, such as 45%RH. Atmospheric air always contains water vapor, the percentage of which depends on the meteorological conditions. The higher the temperature, the more water vapor the air contains. Therefore, we use the concept of "relative humidity". When cold air is heated to a comfortable temperature in winter, the relative percentage of the water vapor decreases, which means the relative humidity decreases. To maintain a comfortable and healthy environment in our homes, we need to artificially add water or water vapor to the indoor air - that's humidification.

## CORRECT HUMIDITY LEVEL

Ideal Relative Humidity Levels Depends on the Situation.

The most comfortable RH for human beings	45-65%RH
Ideal RH for prophylactic and curative purpose	40-55%RH
Computer and telecom apparatuses	45-60%RH
Furniture and musical instruments	40-60%RH
Library, art galleries, and museums	40-60%RH

## FUNCTIONS

- To increase and to regulate the relative humidity of the indoor air;
- To eliminate electrostatic charges;
- To prevent different diseases;
- To maintain your appearance and protect your skin;
- To adjust the room temperature.

## SECURITY GUIDE

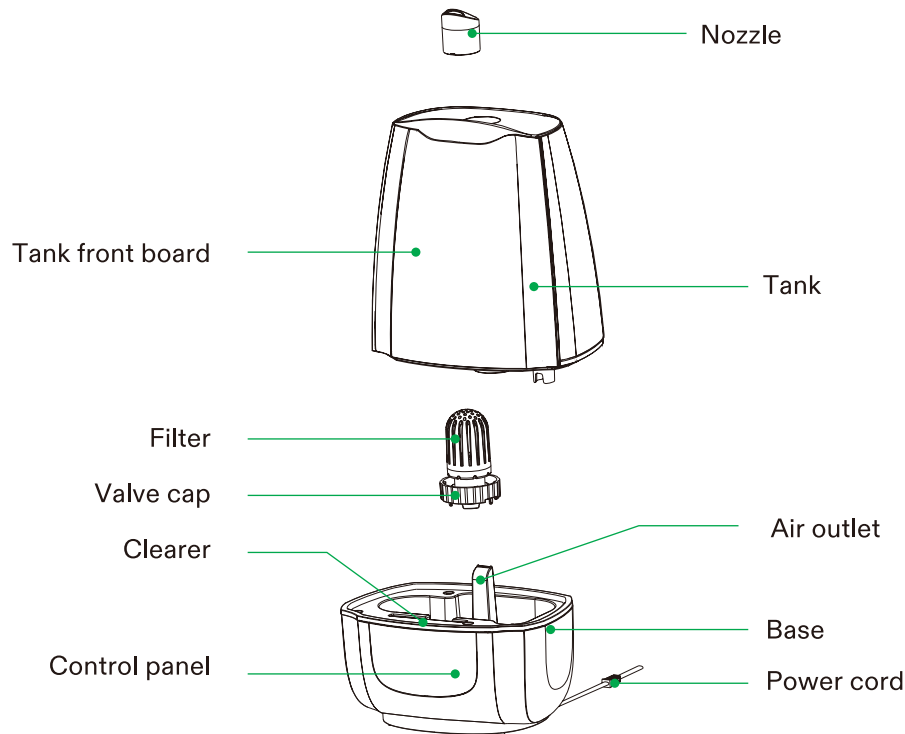
**Warning:** Please be aware of the following points or you may be exposed to danger from high voltage charges:

1. Never disassemble the base unit without consulting qualified personnel.
2. If the power cord is damaged, it must be replaced by the manufacturer, its service agent or similarly qualified persons in order to avoid hazards.
3. Do not modify the attachment without the express permission of our company, otherwise it may be dangerous.

## SECURITY GUIDE

4. If there is an abnormal smell during normal operation, please turn off and disconnect the power supply and contact a qualified service person to check the device.
5. Unplug the appliance during filling, cleaning, and maintenance.
6. Do not add detergents or chemical solutions to the unit.
7. If detergents or chemical solutions get in your mouth or eyes, rinse with clean water and consult your doctor immediately.
8. Do not touch the water in the water basin or the components in the water when the unit is operating.
9. Do not turn on the appliance if there is no water in the basin.
10. Do not touch, scratch, or clean the ultrasonic atomizing transducer.
11. Never clean the ultrasonic atomizing transducer with detergents, chemical solutions, etc.
12. Do not spray water inside the base unit when cleaning in order to avoid damage of components.
13. Never move the machine with a full water tank.
14. Place the unit on a level surface and keep it at least 2 meters away from furniture and the other electrical appliances.
15. Caution should be taken due to the emission of hot steam.
16. This appliance is not intended for use by persons (including children) with reduced physical, sensory or mental capabilities, or lack of experience and knowledge, unless they have been given supervision or instruction concerning the use of the appliance by a person responsible for their safety.
17. Children should be supervised to ensure that they do not play with the appliance.
18. Only use water in the tank, never use any additive such as essential oils, etc. in the water.

## EXPLODED DRAWING



## OPERATION STEPS

1. Take out the water tank from the base, turn the valve-cap by the directions of LOOSEN and FASTEN, and fill the water tank with clean water. Close the valve-cap and put the water tank on the base carefully.
2. Insert the nozzle into the socket on top of the water tank.
3. Plug in the power cord, turn on the appliance (DO NOT START THE APPLIANCE WITHOUT WATER IN THE BASIN), the LED display will turn on for 2 seconds then show the current humidity and temperature. The unit will be on standby mode.
4. ON/OFF: Touch the ON/OFF button to turn the unit on/off. When the display is on, the unit will operate at a low mist output. Touch the ON/OFF button again, all functions will be invalidated, the display will be off, and the fan will continue to operate for 5 minutes.
5. MIST: 4 levels of Low, Middle, Middle-High, and High for different mist output.
6. HUMIDISTAT: Touch the HUMIDISTAT button to set the humidity level from 40-95RH% with a difference of 5RH% for each touch. When the room humidity level is higher than the preset level, the unit will automatically turn off. Otherwise, the misting will continue until the room humidity reaches the preset level.
7. DELAY START: When the unit is in standby mode, touch the DELAY START button to set the start delay from 1 hour to 24 hours. The timer LED flashes three times to start the countdown and the unit will turn on according at the set time. When the timer mode is activated, all buttons except the ON/OFF and AUTO OFF buttons are disabled.
8. AUTO OFF: Set the Auto Off Timer to between 1 hour and 24 hours. The timer LED flashes three times to start the countdown and the unit will shut off automatically when the set time is up. 0 means to cancel the setting.
9. BEEP/DIM: Touch the BEEP/DIM button, it works whenever it is humidifying and the device will BEEP when the unit turns OFF. Touch again and it will enter sleep mode and an indicator LED light saying DIM will turn on. It will operate under the previous settings and if you touch any button, it will cancel the sleep mode.
10. No water protection: If there is no water in the tank, the WATERLESS light will turn on. The machine will stop. Then the setting of TIMER and HUMIDISTAT will be canceled. When the water tank is refilled, the functions must be reset.

## OPERATION INSTRUCTIONS

- When used for the first time, allow the unit to equilibrate to room temperature for half an hour before operation.
- It is recommended that the unit be used at temperatures of 5-40°C, with relative humidity less than 80%RH.
- Use clean water that does not exceed 40°C (104°F).
- Check the water basin and make sure it is clear.

## TROUBLESHOOTING

If any problems occur during the normal operation, please refer to the following points:

Trouble	Possible reasons	Suggestions
LED display is off.	No power supply.	Connect power supply.
	Not turned ON.	Switch on.
LED display is on, no mist no wind.	No water in the water tank.	Fill water into the water tank.
	Too much water in the water basin.	Drain some water from the water basin, close the water tank cover tightly.
LED display is on, no mist but with wind.	Mist output is set on the lowest level.	Adjust the mist output.
LED display is on, with water but shows waterless.	Floater is interrupted.	Wiggle the floater, keep it free so that can measure the water.
Mist with abnormal smell.	New unit.	Take out the water tank, open the cover, leave for 12 hours in a cool place.
	Dirty or stagnant water.	Clean the water tank, fill with clean water.
Mist being too thin.	Too much scale in the water basin.	Clean the transducer.
	Water is too dirty or water kept too long in the tank.	Clean the water tank, change to fresh, clean water.
	Water is too cold.	Add some warm water.
Abnormal noise.	Resonance in the water tank when water is too low.	Fill the water tank with water.
	The unit is on an unstable surface.	Place the unit on a stable, flat surface.

## SHOOTING GUIDE

Mist coming out around the nozzle.	There are openings between the nozzle and the water tank.	Soak the nozzle in water for a while and then attach it to the socket on the water tank.
Water doesn't come down to the basin.	Clogged filter.	Rinse the filter with tap water.
Display shows flashing digital 30%RH.	Current humidity level is lower than 30%.	Allow it to continue to operate.
Display shows SD (Sensor defect).	Poor contact for humidity sensing element	Reinstall it.
	Open or short circuit of the temperature sensor.	Replace it.

## MAINTENANCE

In cases where the water is hard, which means the water contains too much calcium and magnesium, the device may have left behind "white powder" that forms scales on the surface of the water basin, on the transducer, and on the inner surface of the water tank. If there is scale on the surface of the transducer the unit will not operate properly.

# MAINTENANCE

## WE RECOMMEND:

1. Use cold boiled water or distilled water.
2. Clean the transducer, water tank and basin unit weekly.
3. Change the water in the water tank more often to keep it fresh.
4. Be sure to drain the water from the water tank and dry the water basin before storing the unit unused for an extended period of time.
5. Clean the whole unit, and make sure that all parts of the unit are completely dry before storing for an extended period of time.
6. Do not use chemicals for cleaning.

## HOW TO CLEAN THE TRANSDUCER:

1. Apply 5-10 drops of vinegar to the surface of the transducer, wait for 2-5 minutes.
2. Brush the scale from the surface.
3. Rinse the transducer with clean water.

## HOW TO CLEAN THE BASIN UNIT:

1. Clean the water basin with a soft cloth and vinegar if there are limescale deposits.
2. If the scale covers the security switch, drop vinegar on the scale and clean it out with a brush.
3. Rinse the water basin with clear water.

## DISPOSAL:

Do not dispose of this product in unsorted municipal waste. It must be collected separately for special treatment.

